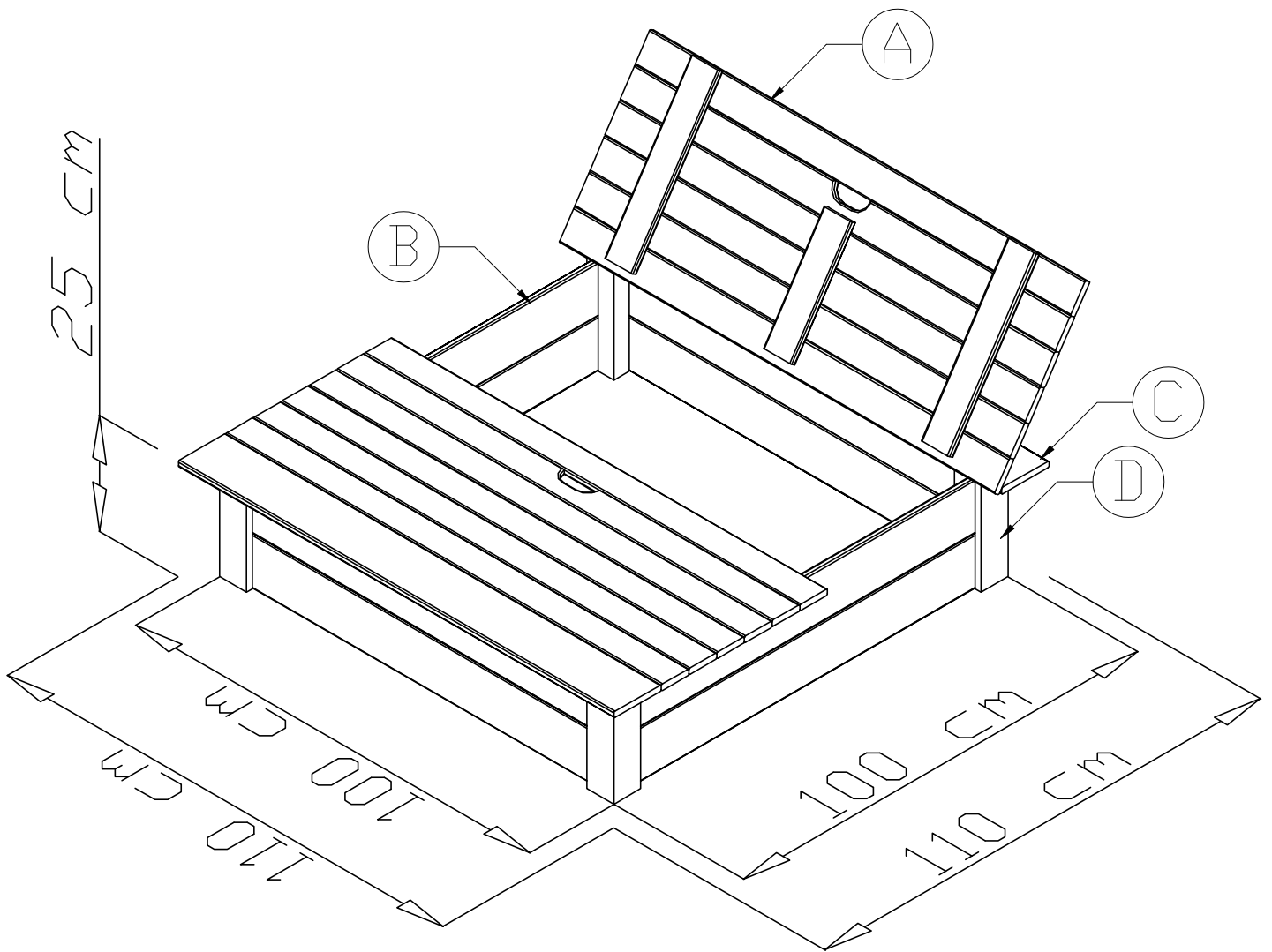


Square sand pit



Assembling parts		
#	Element	Q.
1	Wood screw $\varnothing 3.5 \times 25$	32
2	Wood screw $\varnothing 3.5 \times 50$	10

Element	Quantity	Measure [mm]
		A
B	8	14 x 120 x 910
C	2	14 x 120 x 1100
D	4	68 x 68 x 240

Article:

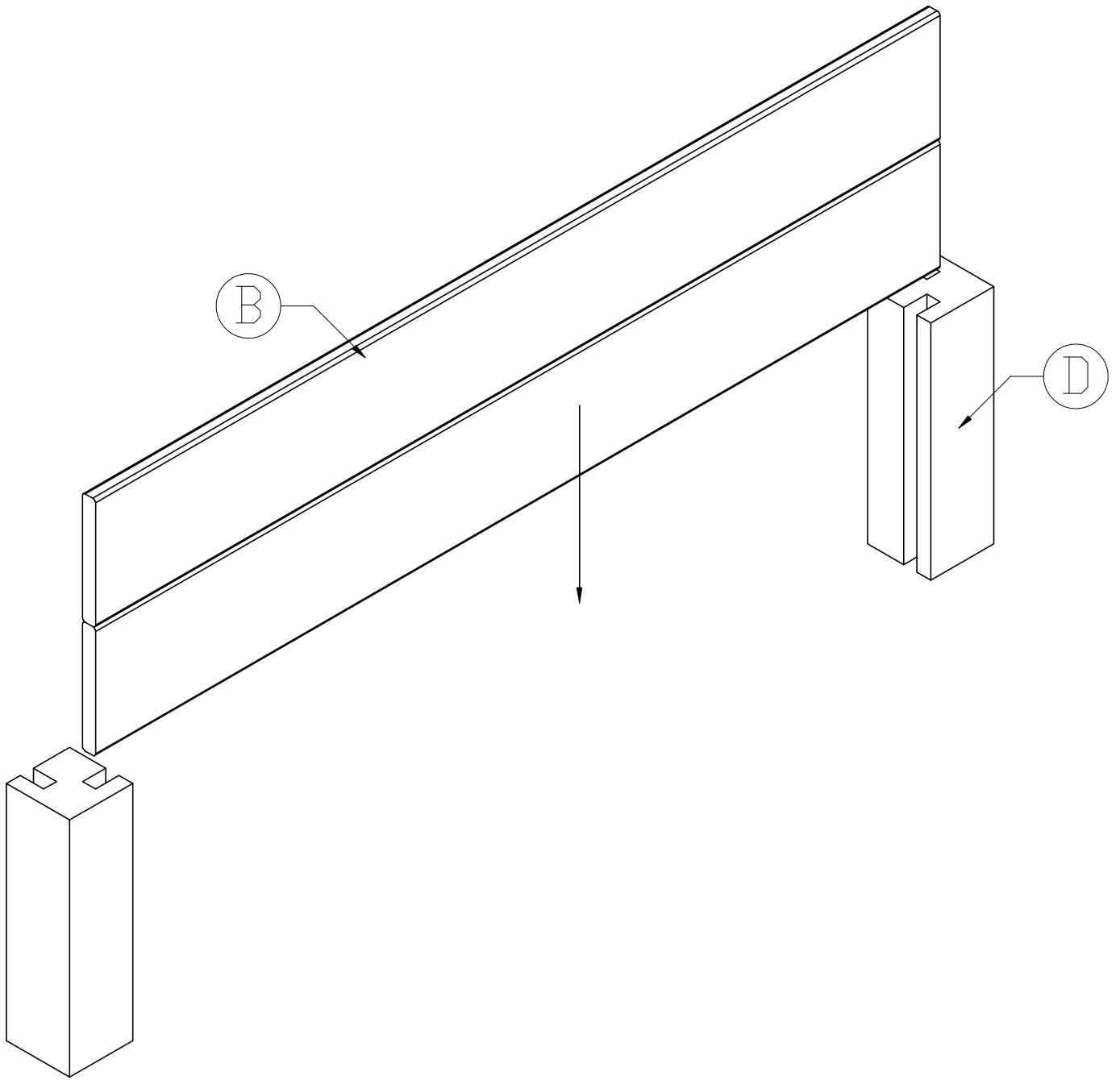
Square sand pit with lid

Page:

2/9

Article nr:

16.6100



Article:

Square sand pit with lid - Assemblage

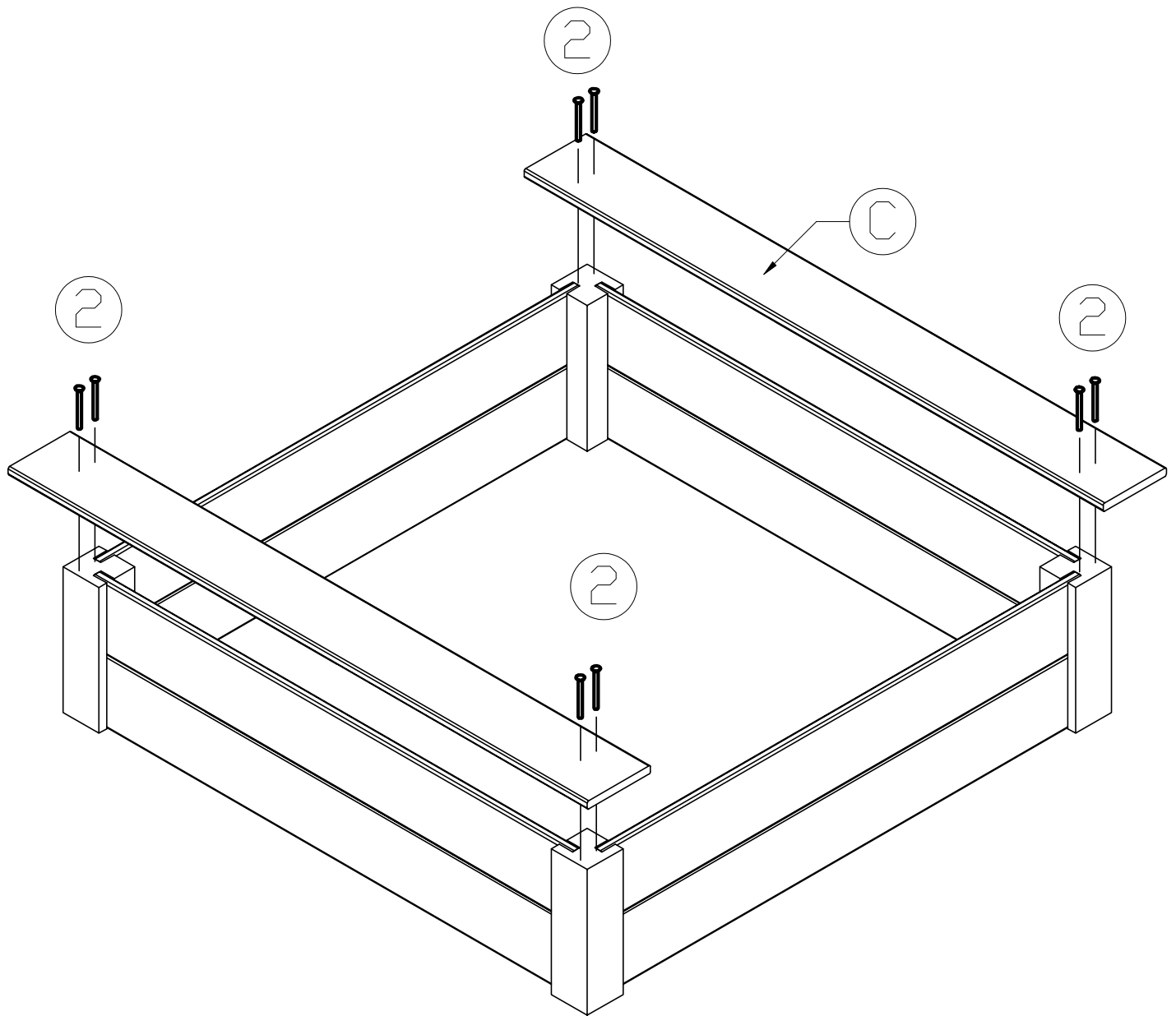
Page:

3/9

Article nr:

16.6100





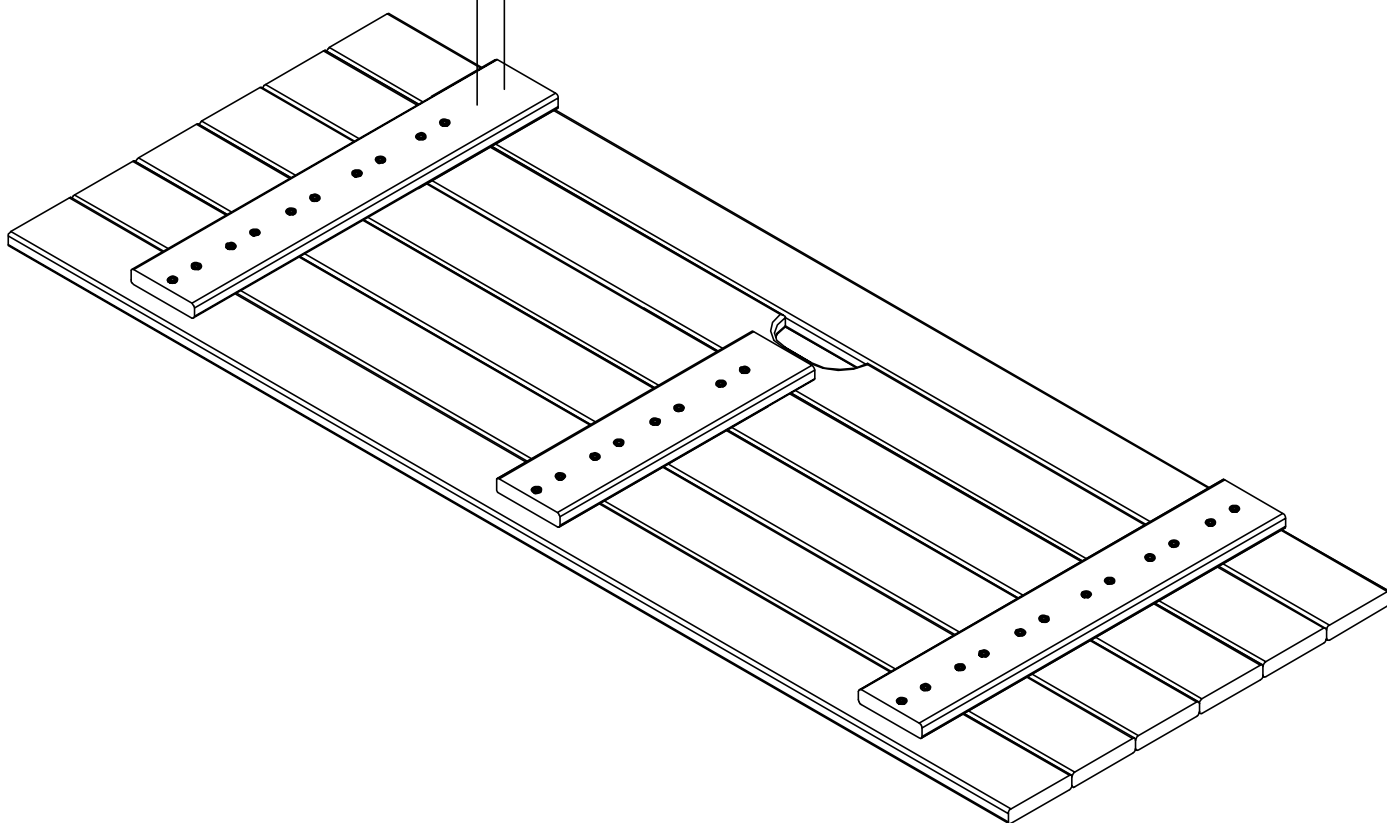
Article:
Square sand pit with lid - Assemblage

Page:
4/9

Article nr:
16.6100



1



Article:

Square sand pit with lid - Assemblage

Page:

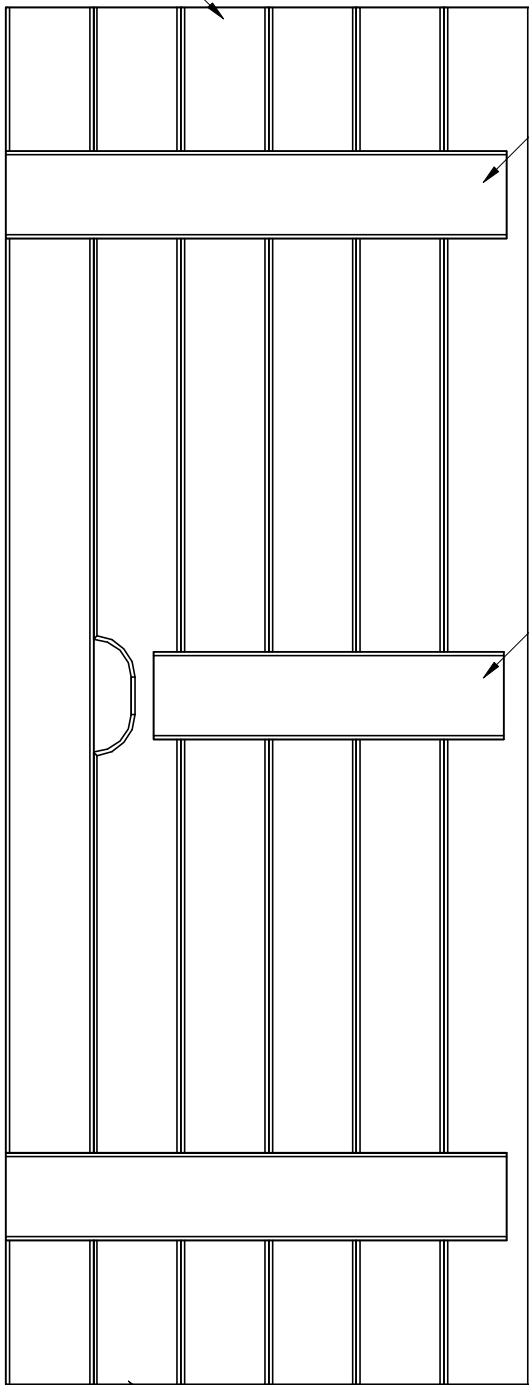
5/9

Article nr:

16.6100



14 x 70 x 1100

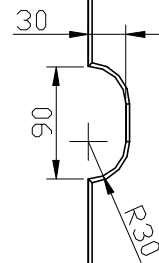


14 x 70 x 400

14 x 70 x 280

A1

70



1100

A1

All boards are round chamfered (R3)

Article:

Square sand pit with lid - Element A

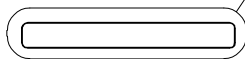
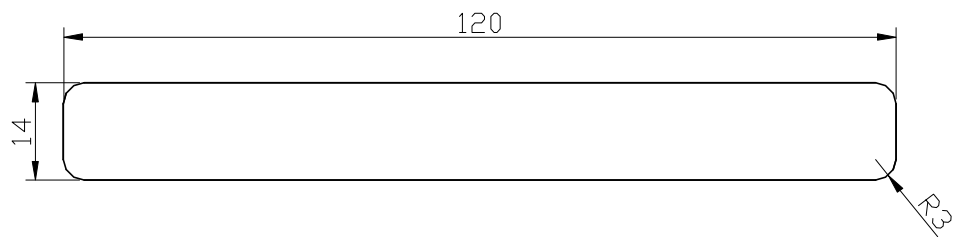
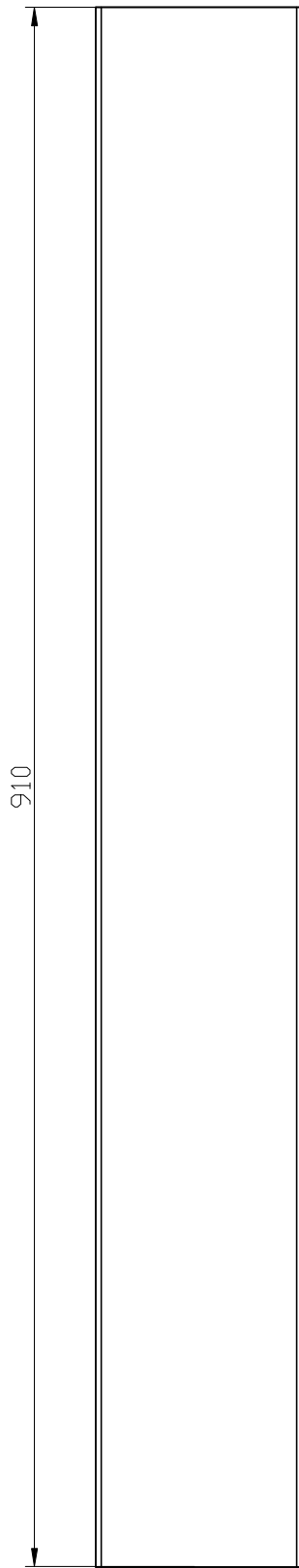
Page:

6/9

Article nr:

16.6100



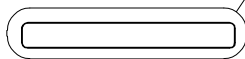
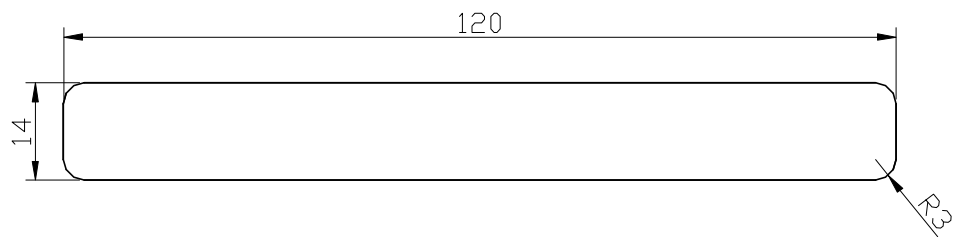
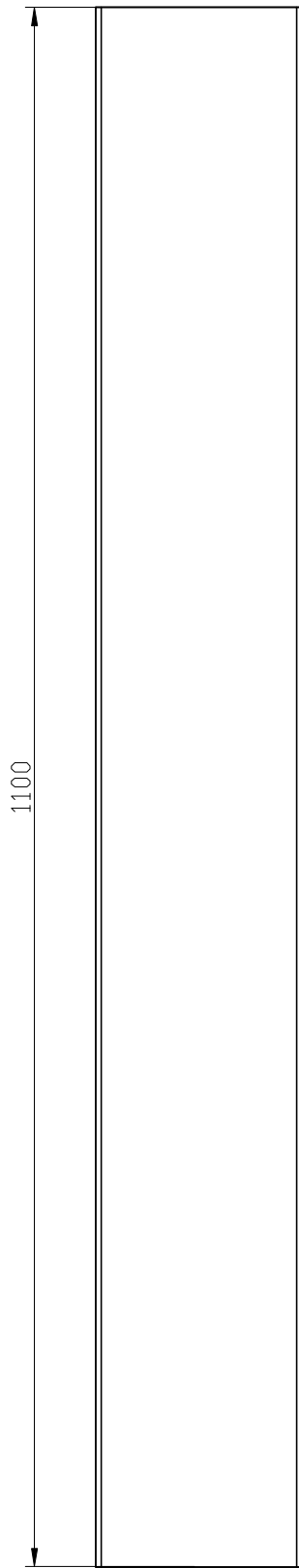


Article:
Square sand pit with lid - Element B

Page:
7/9

Article nr:
16.6100



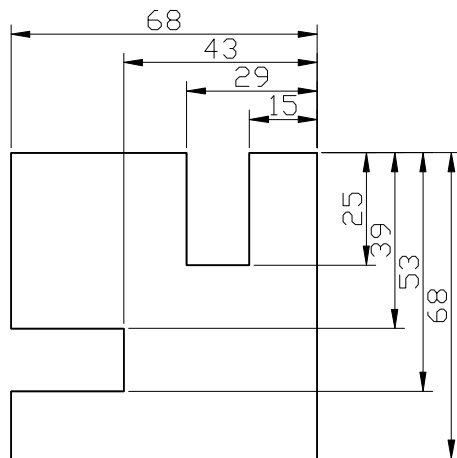
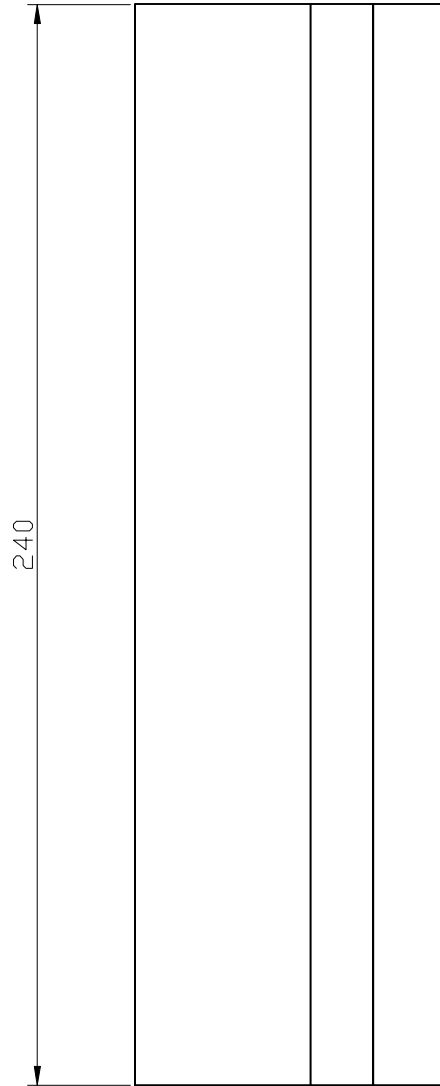


Article:
Square sand pit with lid - Element C

Page:
8/9

Article nr:
16.6100





Article:

Square sand pit with lid - Element D

Page:

9/9

Article nr:

16.6100

