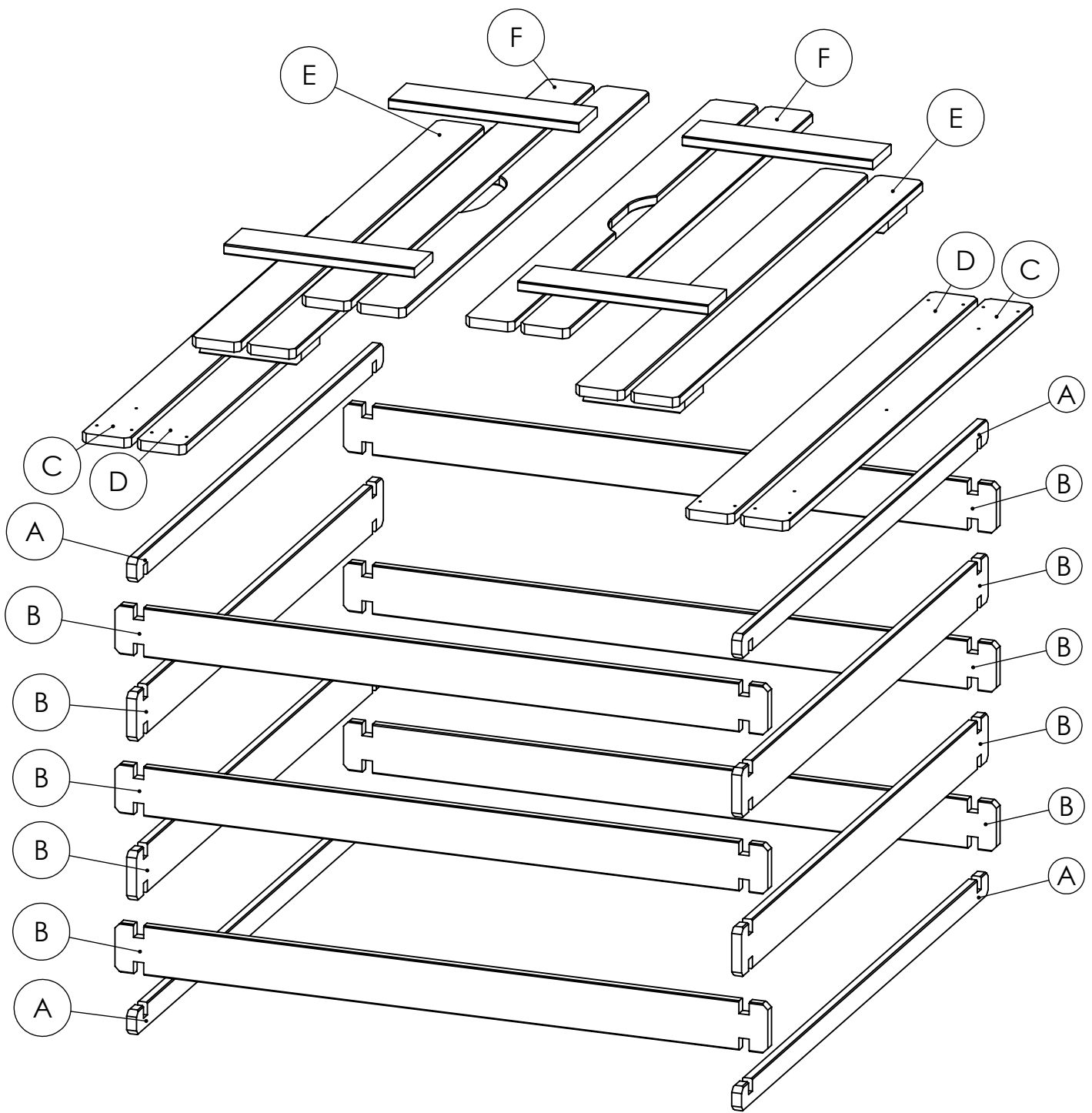
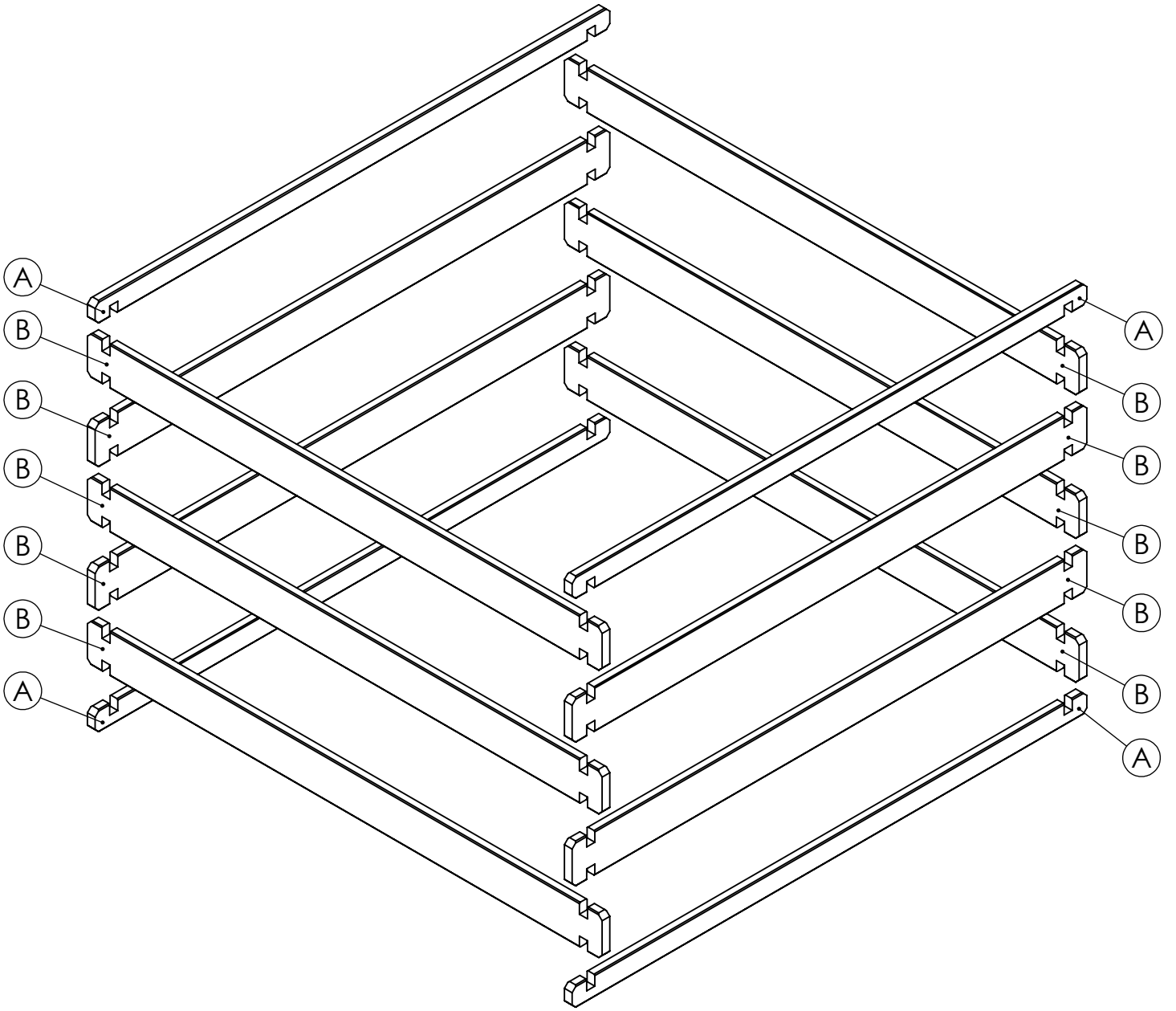


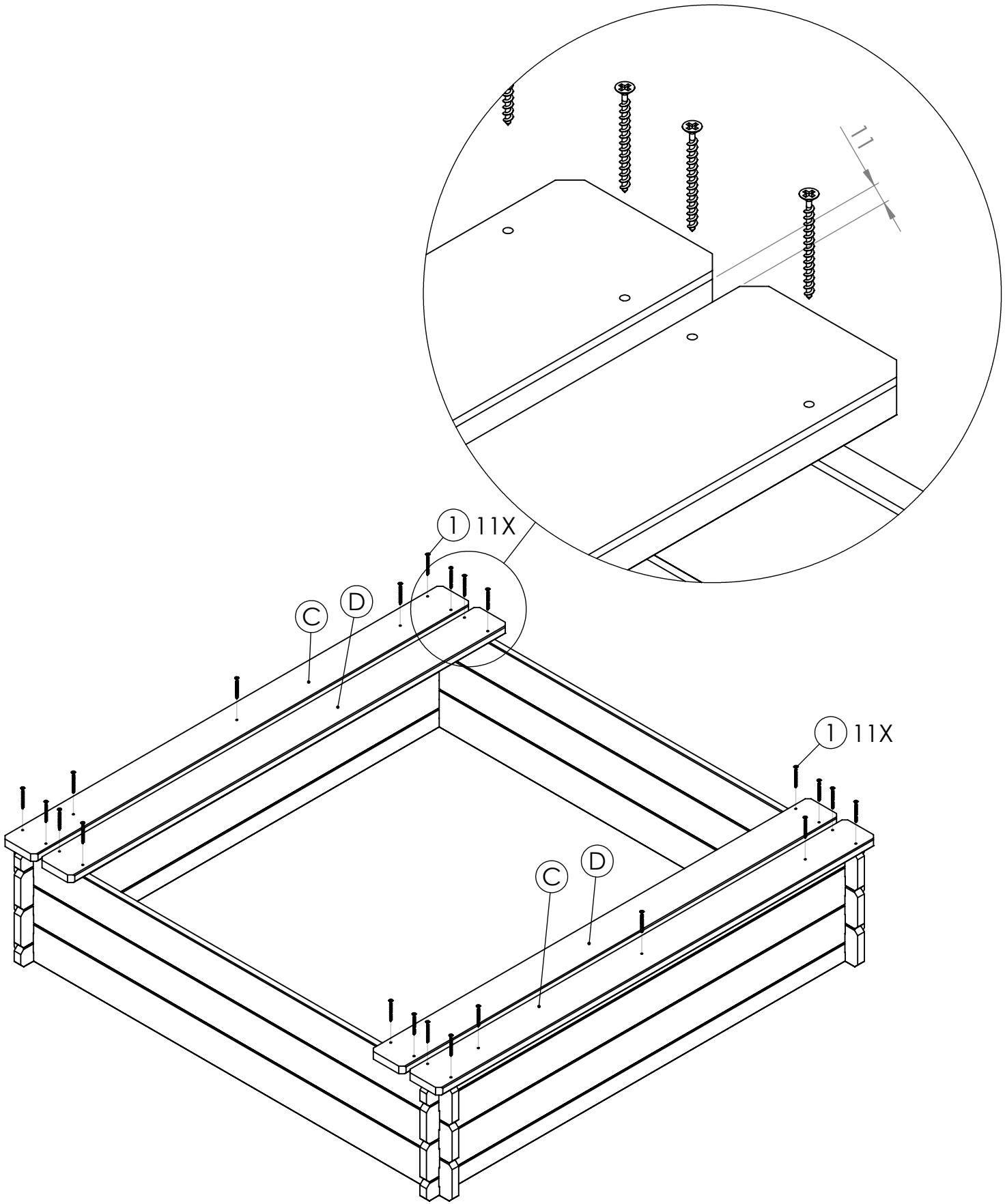
**ZANDBAK**



PART NUMBER	PART NAME	QUANTITY
A	BOARD 18x45x1200	4
B	BOARD 18x90x1200	10
C	BOARD 16x90x1200	2
D	BOARD 18x90x1200	2
E	BENCH	2
F	BACKREST	2

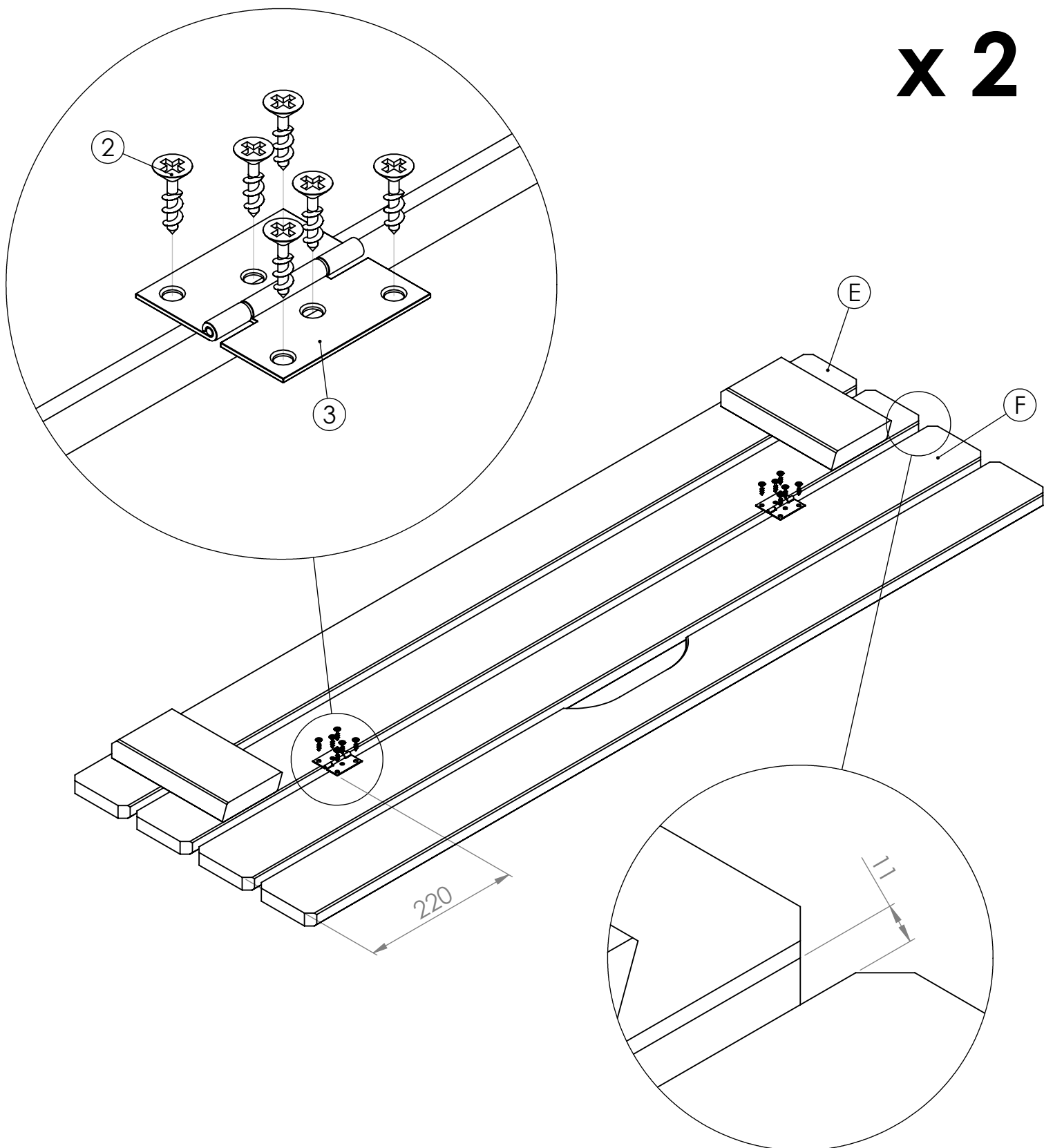
NUMBER FERRULES	NAME OF FERRULES	QUANTITY
1	SCREW 3,5x50	22
2	SCREW 3,5x16	48
3	HINGE	8



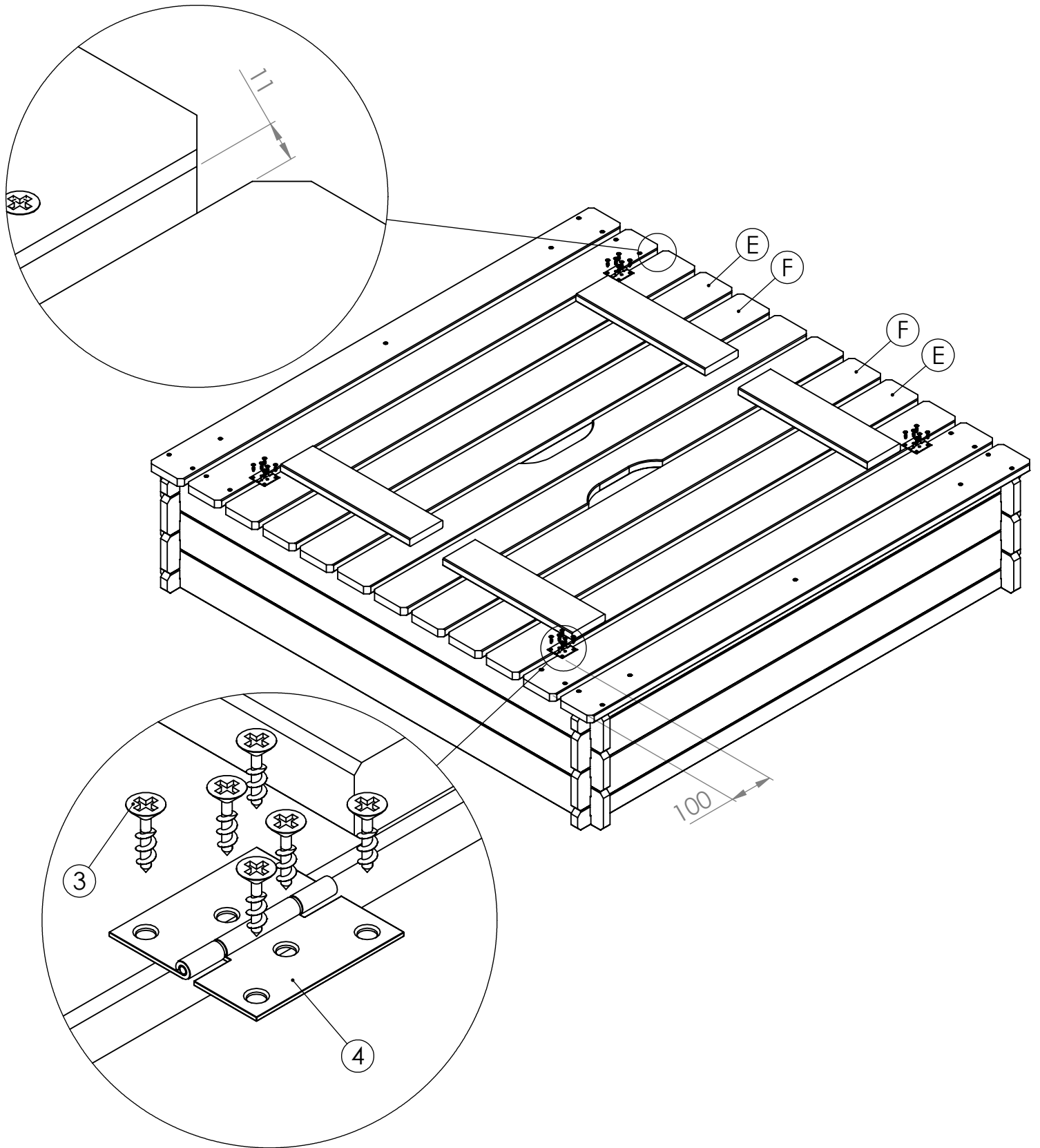


NAME OF FERRULES	QUANTITY
SCREW 3,5x50	22

**x 2**



NAME OF FERRULES	QUANTITY
SCREW 3,5x16	24
HINGE	4



NAME OF FERRULES	QUANTITY
SCREW 3,5x16	24
HINGE	4