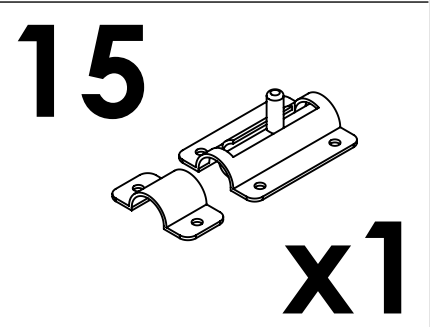
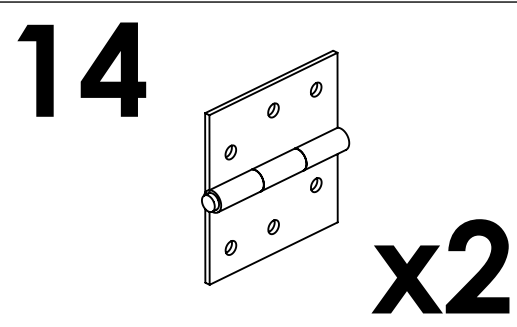
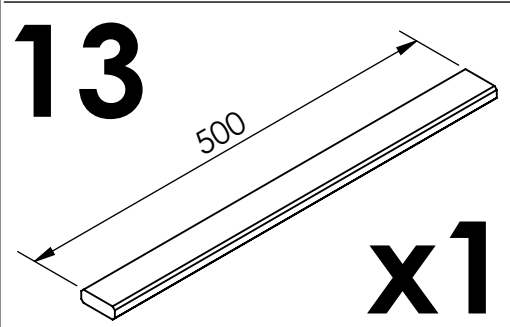
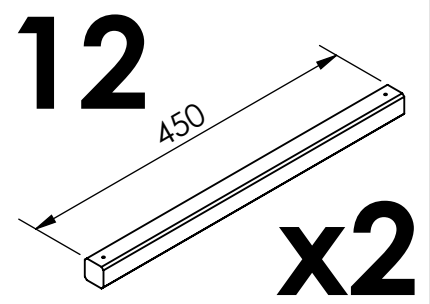
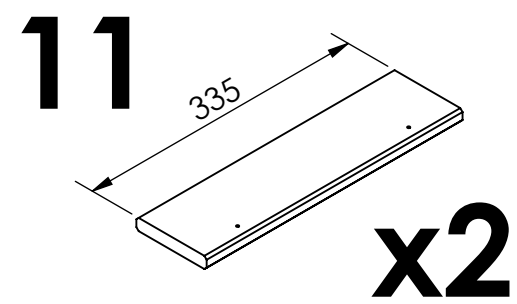
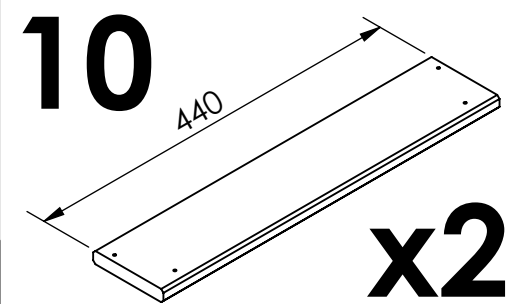
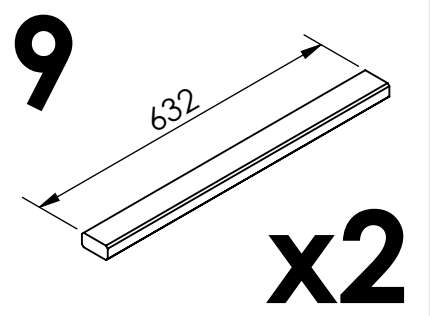
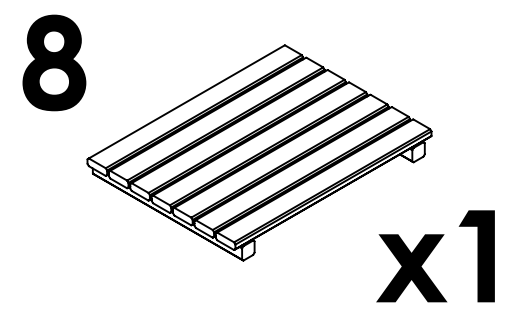
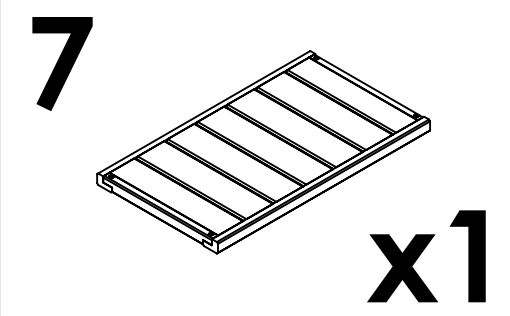
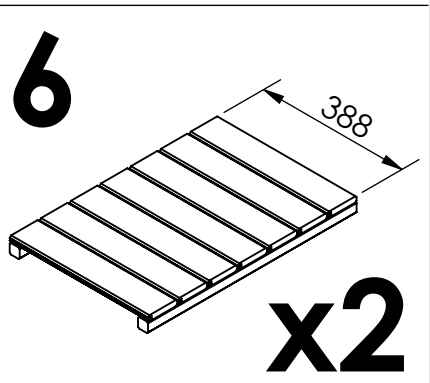
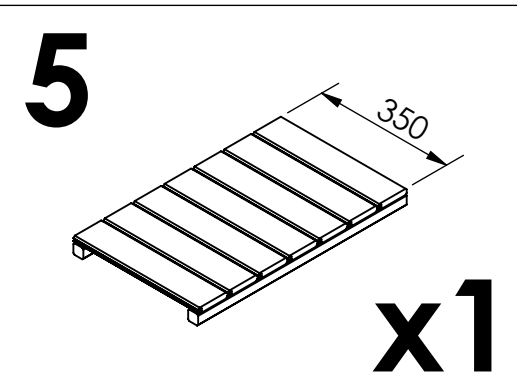
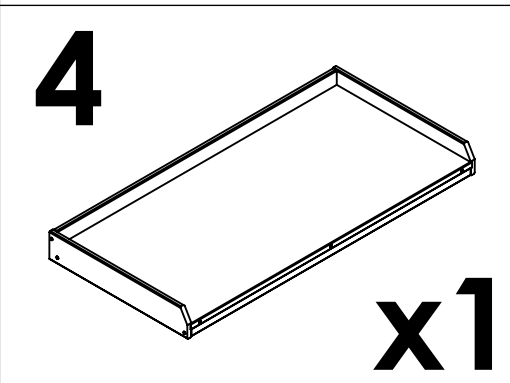
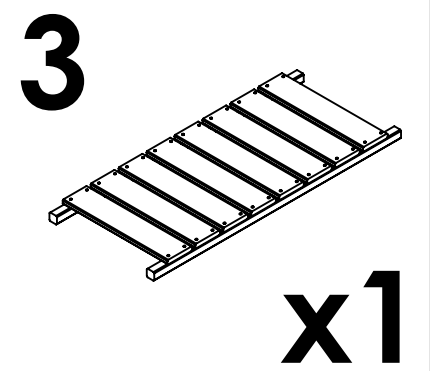
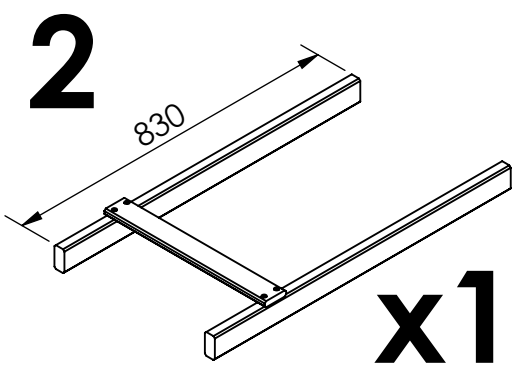
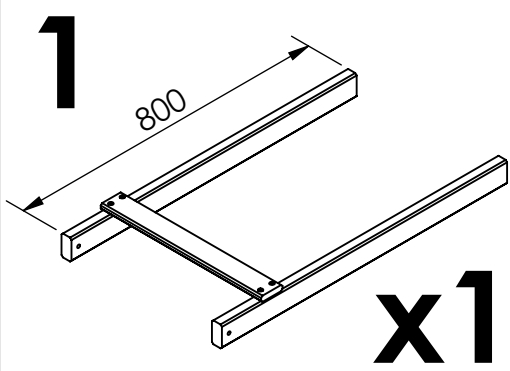
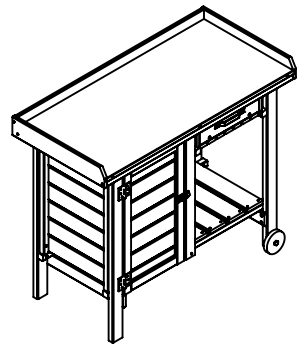
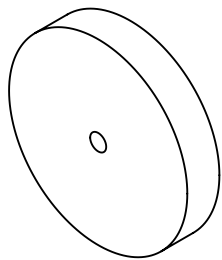


# 257001

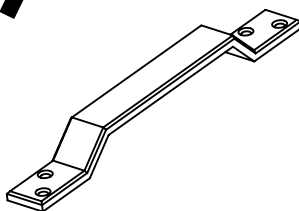


# 16



## x2

# 17



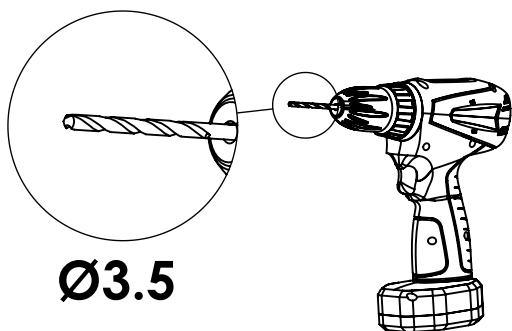
## x1

# 18

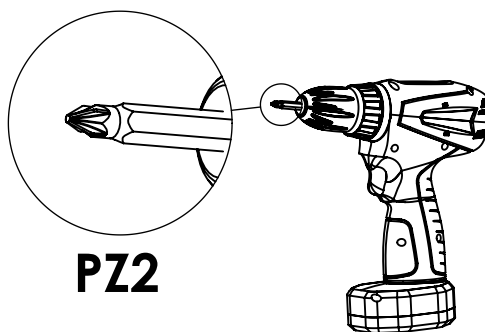
2 / 10



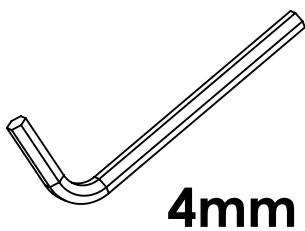
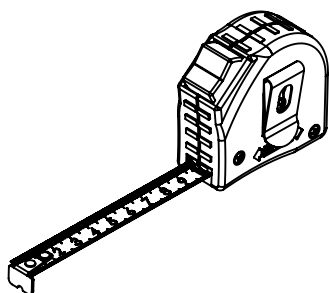
## x1



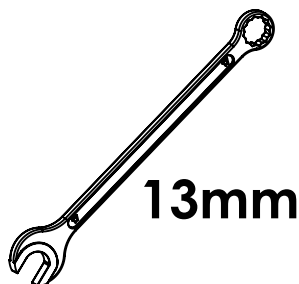
Ø3.5



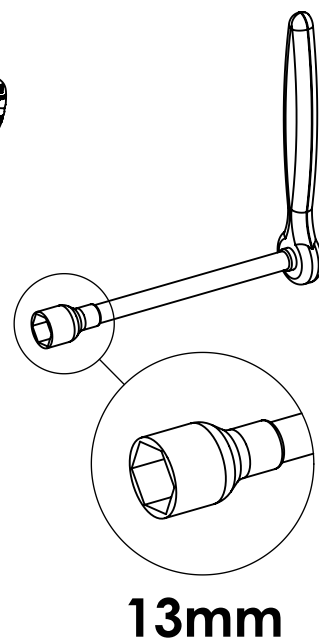
PZ2



4mm

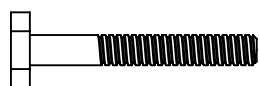


13mm



13mm

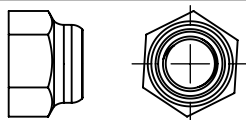
A



M8x60

x2

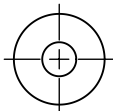
B



M8

x2

C



M8

x4

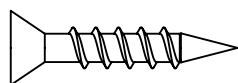
D



3.5x50

x28

E



3.5x16

x22

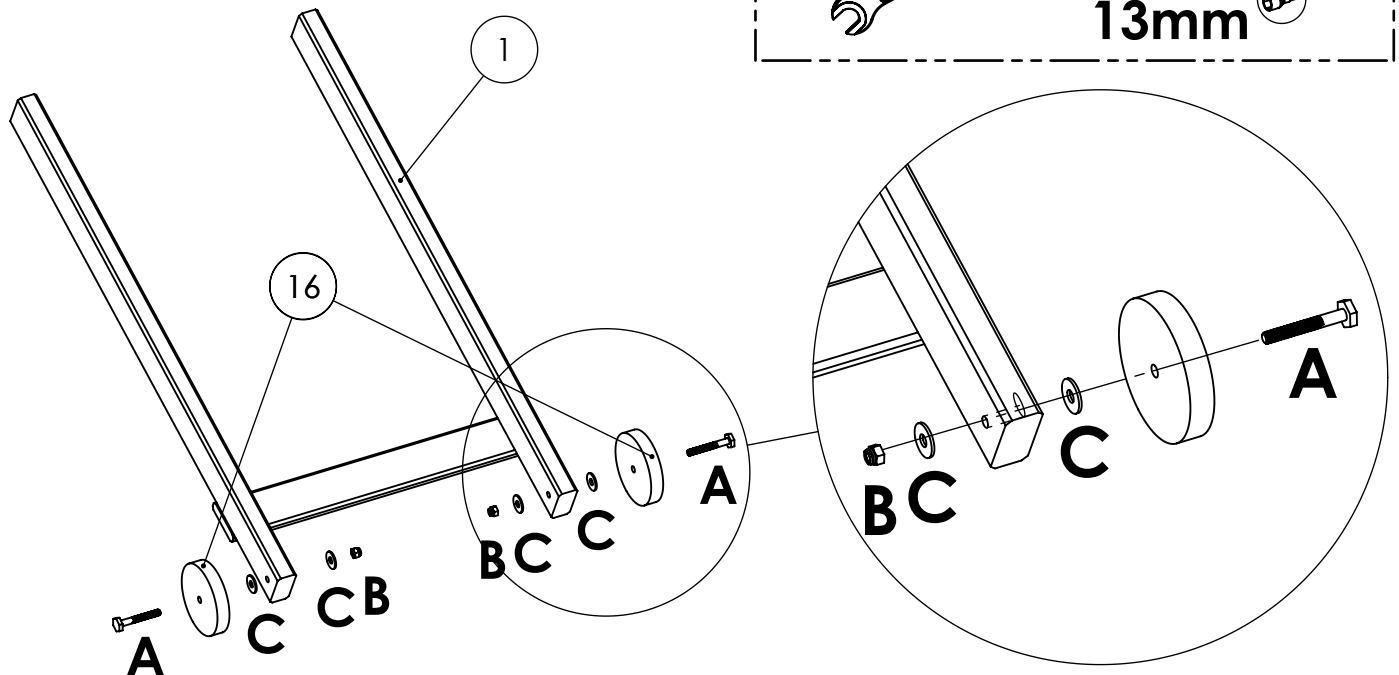
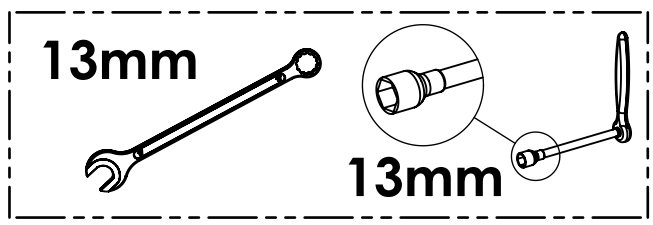
F



3.5x40

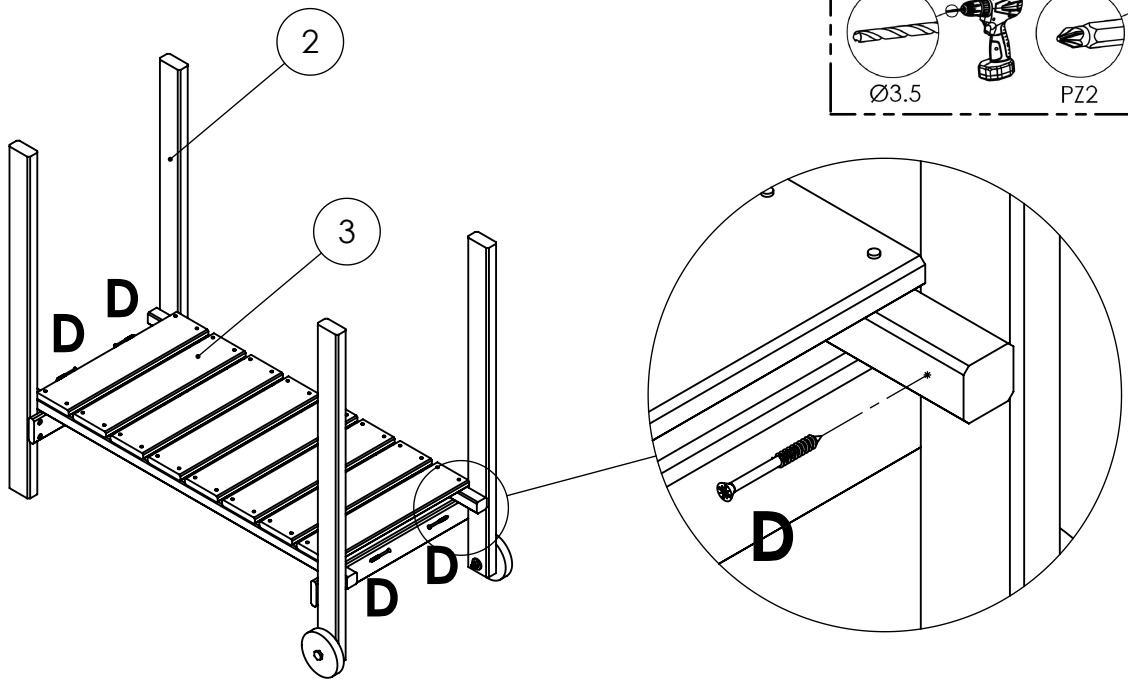
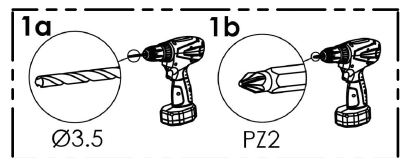
x14

# 1



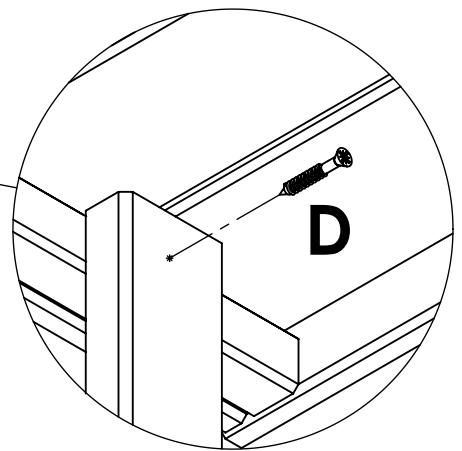
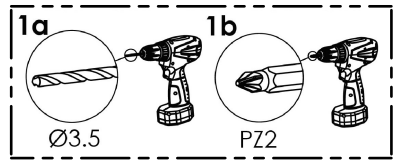
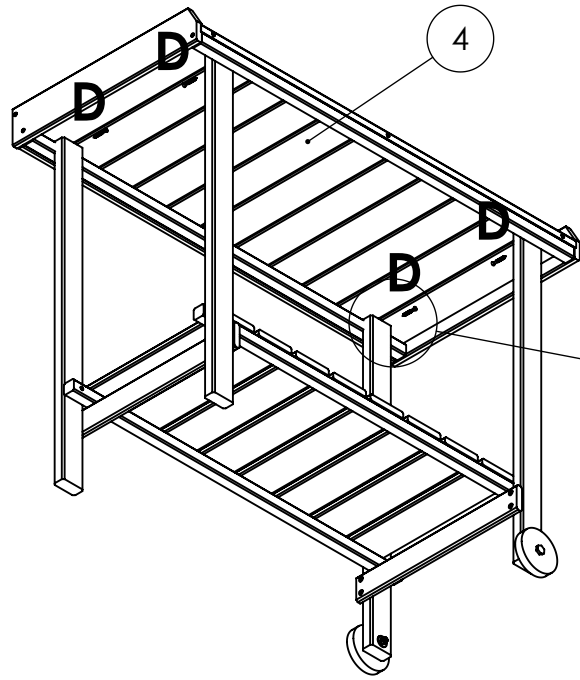
A		M8x60	x2
B		M8	x2
C		M8	x4

# 2



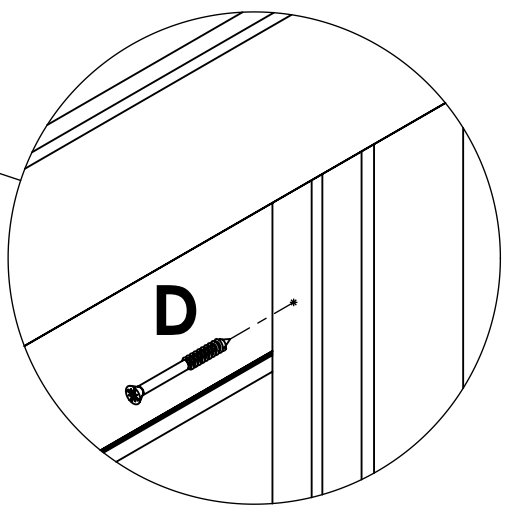
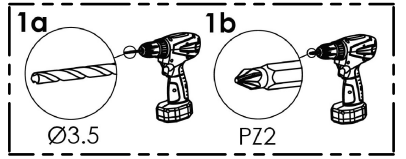
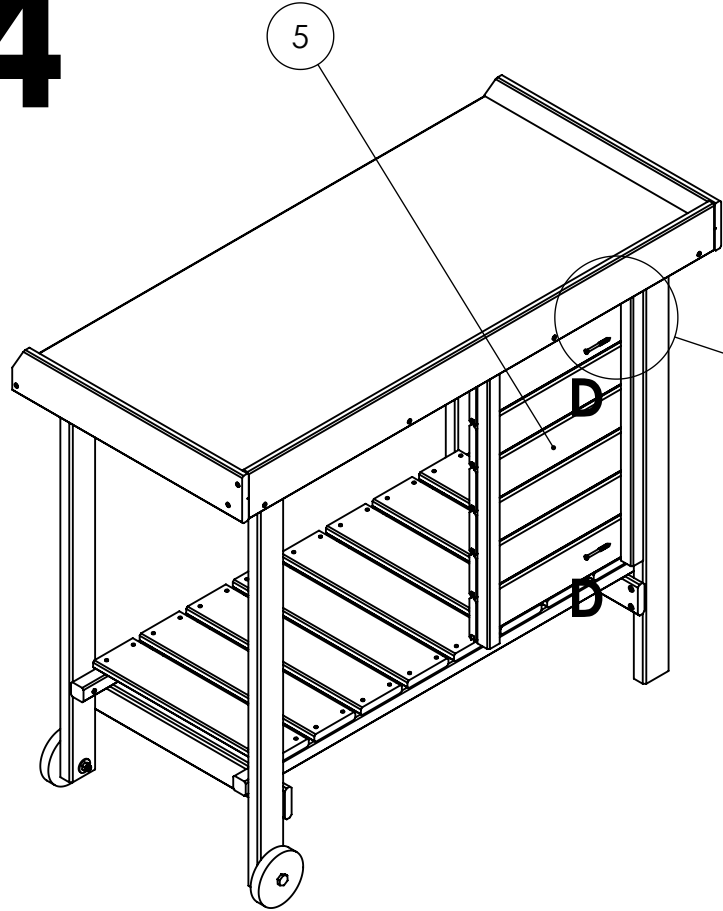
D		3.5x50	x4
---	--	--------	----


# 3



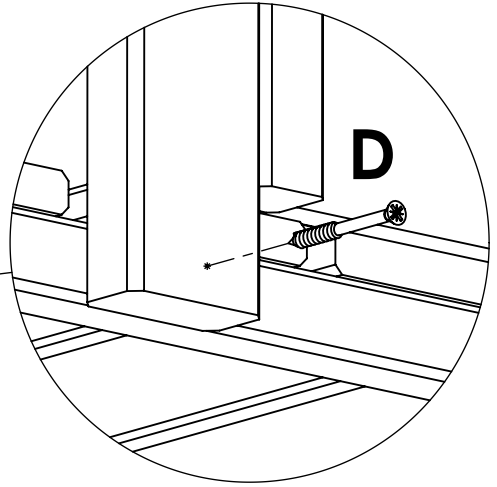
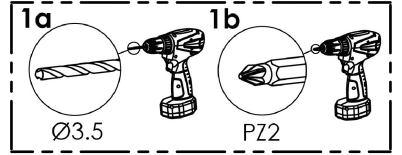
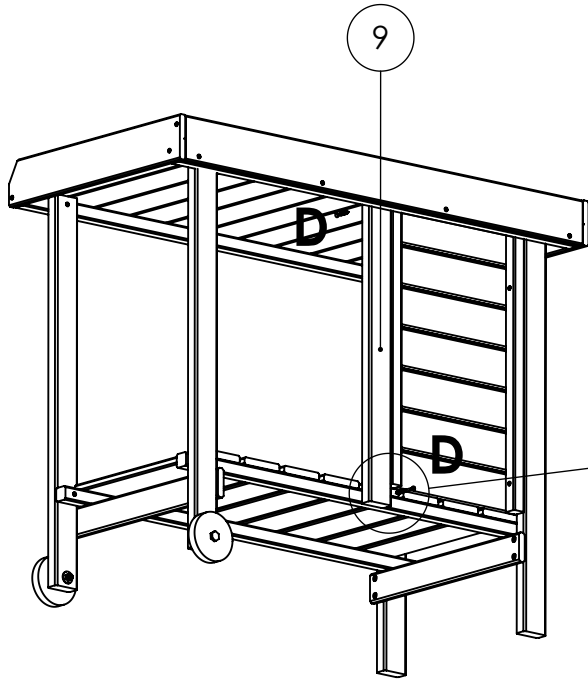
D		3.5x50	x4
---	---	--------	----


# 4



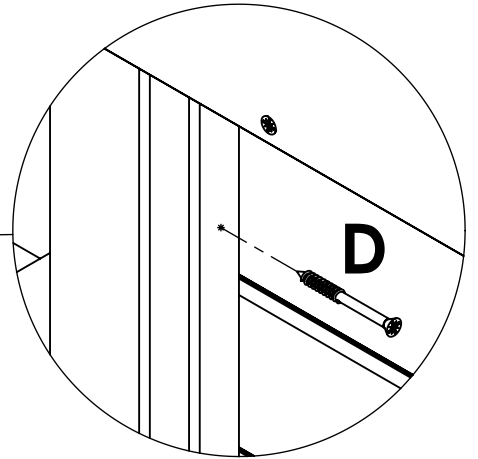
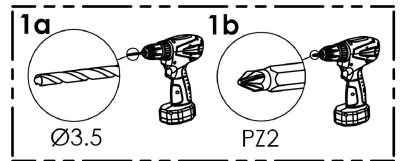
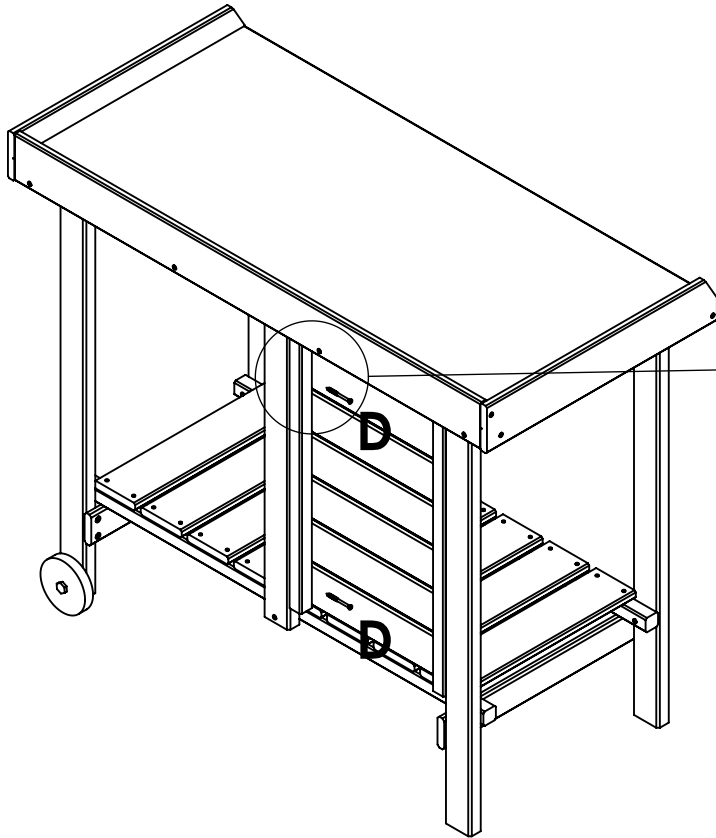
D		3.5x50	x2
---	---	--------	----


# 5



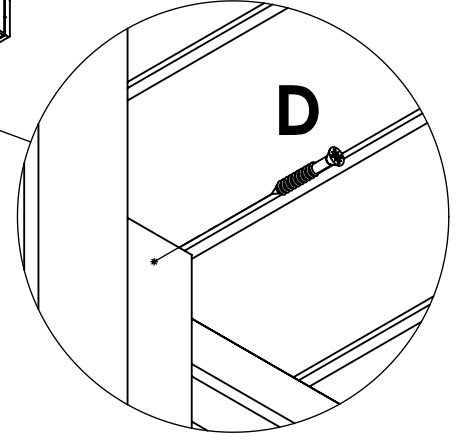
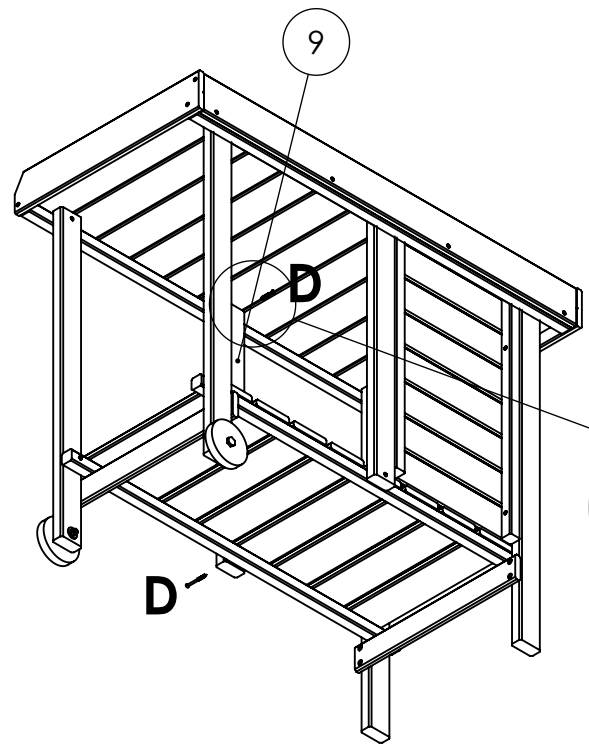
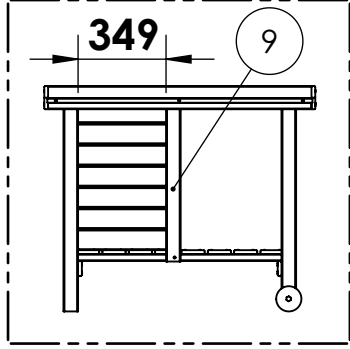
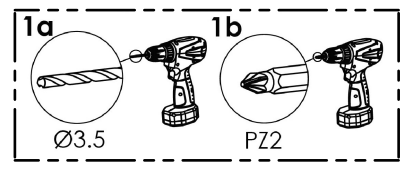
D		3.5x50	x2
---	---	--------	----


# 6



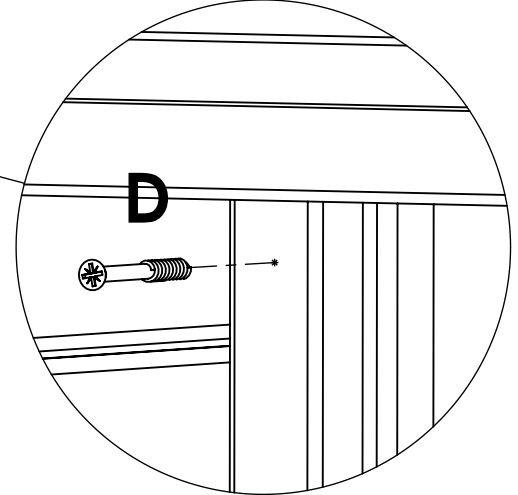
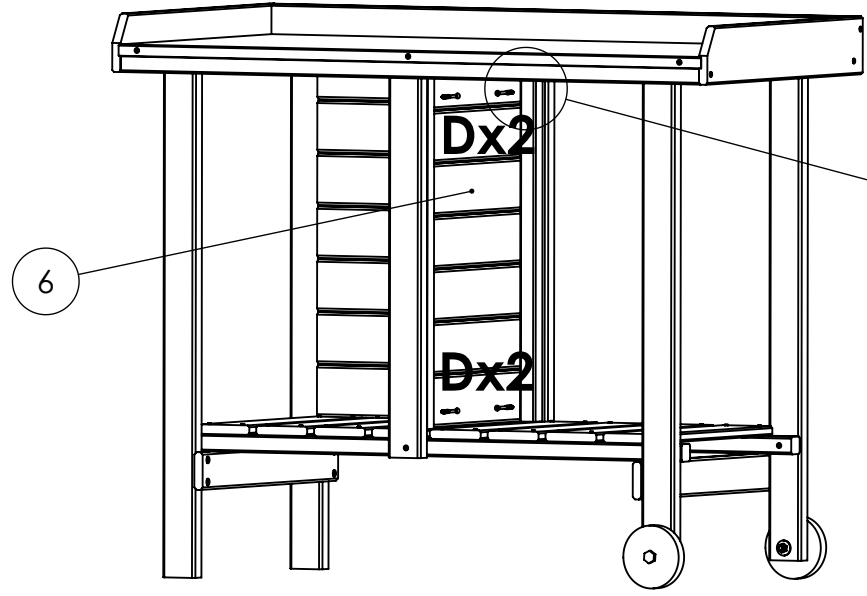
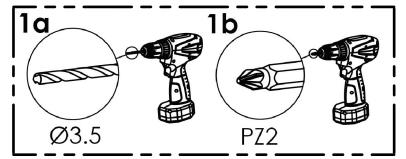
D		3.5x50	x2
---	---	--------	----


# 7



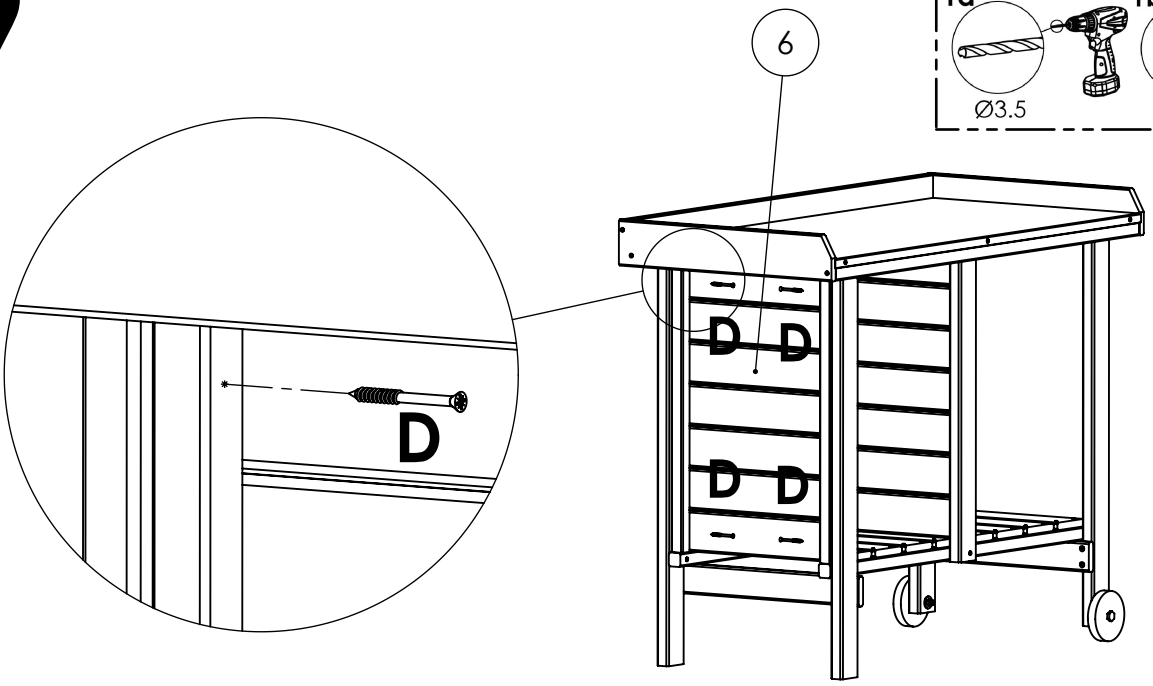
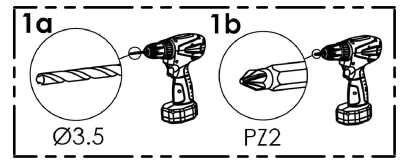
D		3.5x50	x2
---	---	--------	----

# 8



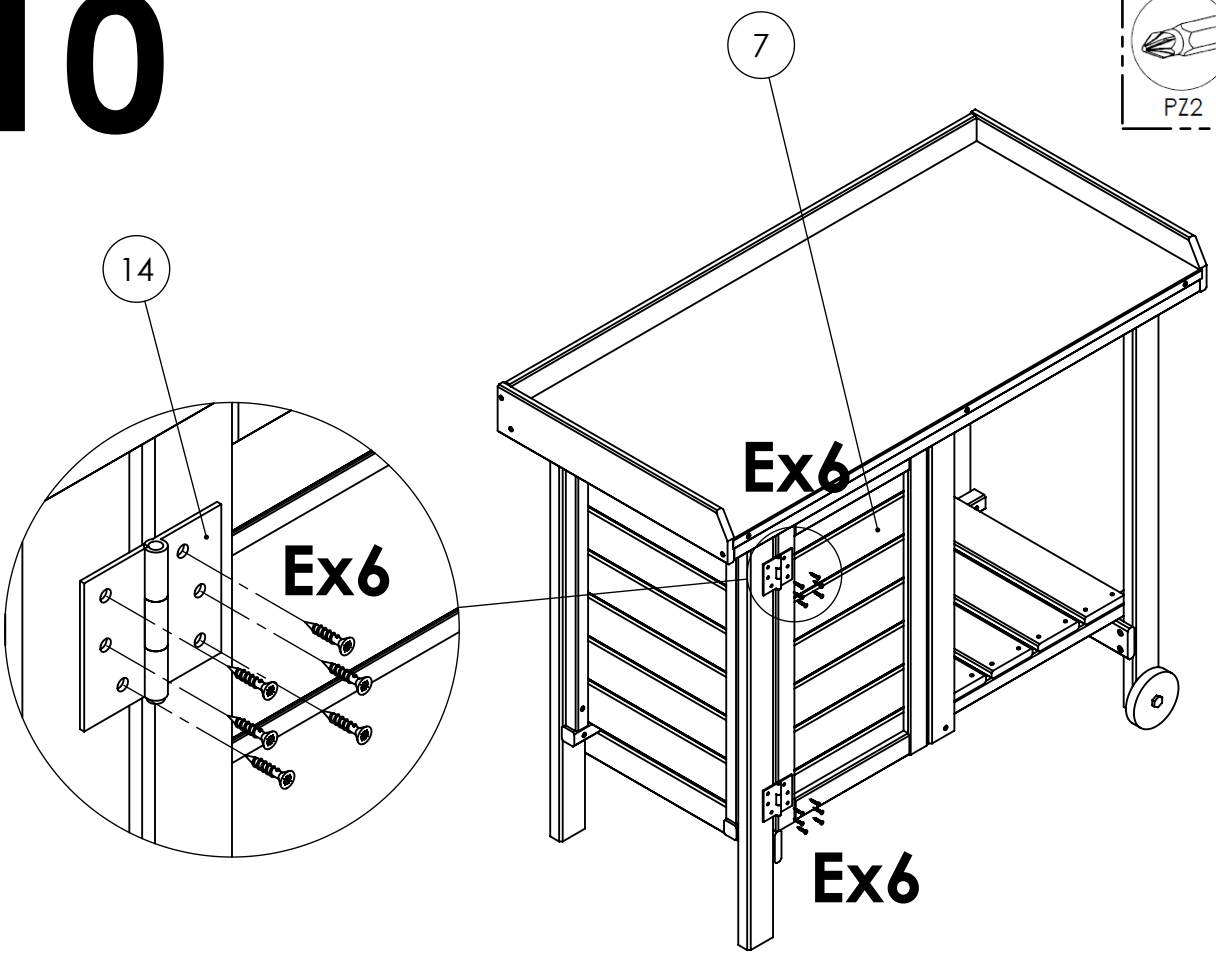
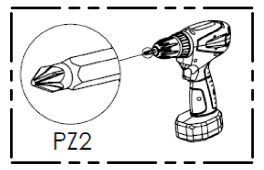
D		3.5x50	x4
---	---	--------	----


# 9



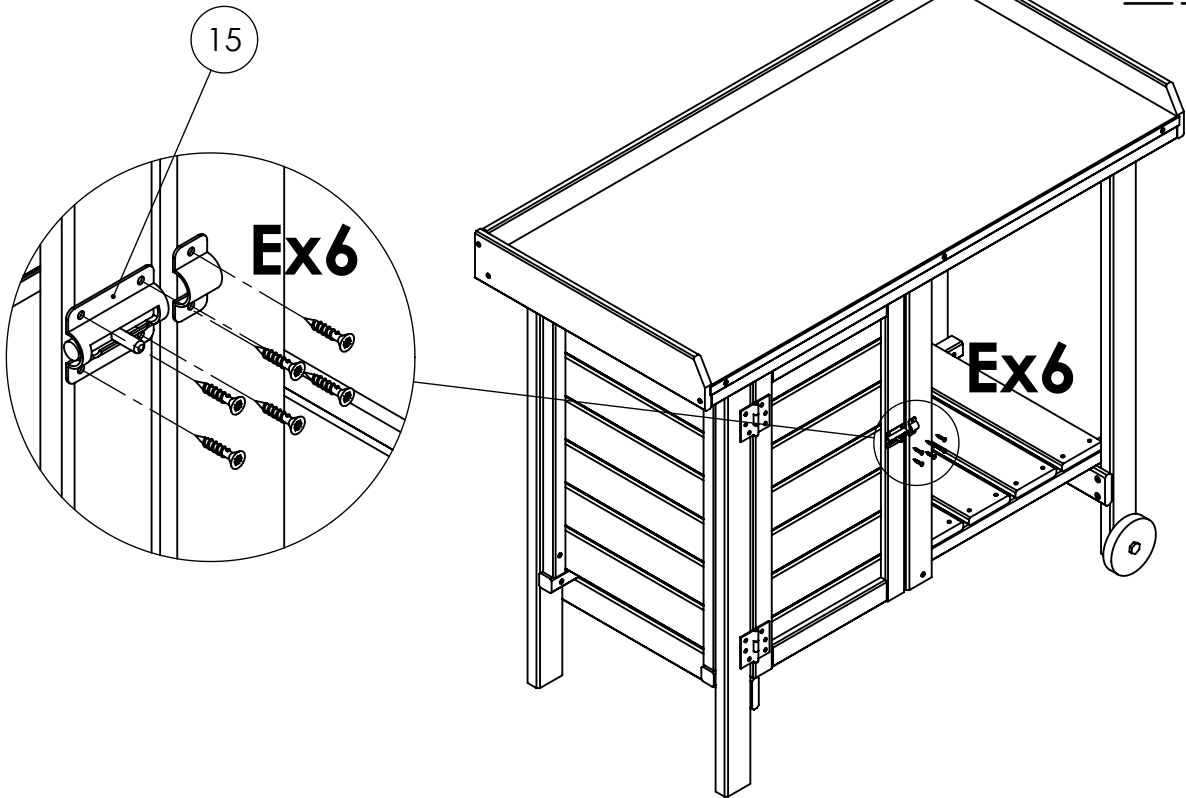
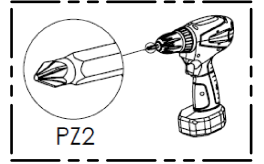
D		3.5x50	x4
---	---	--------	----

# 10



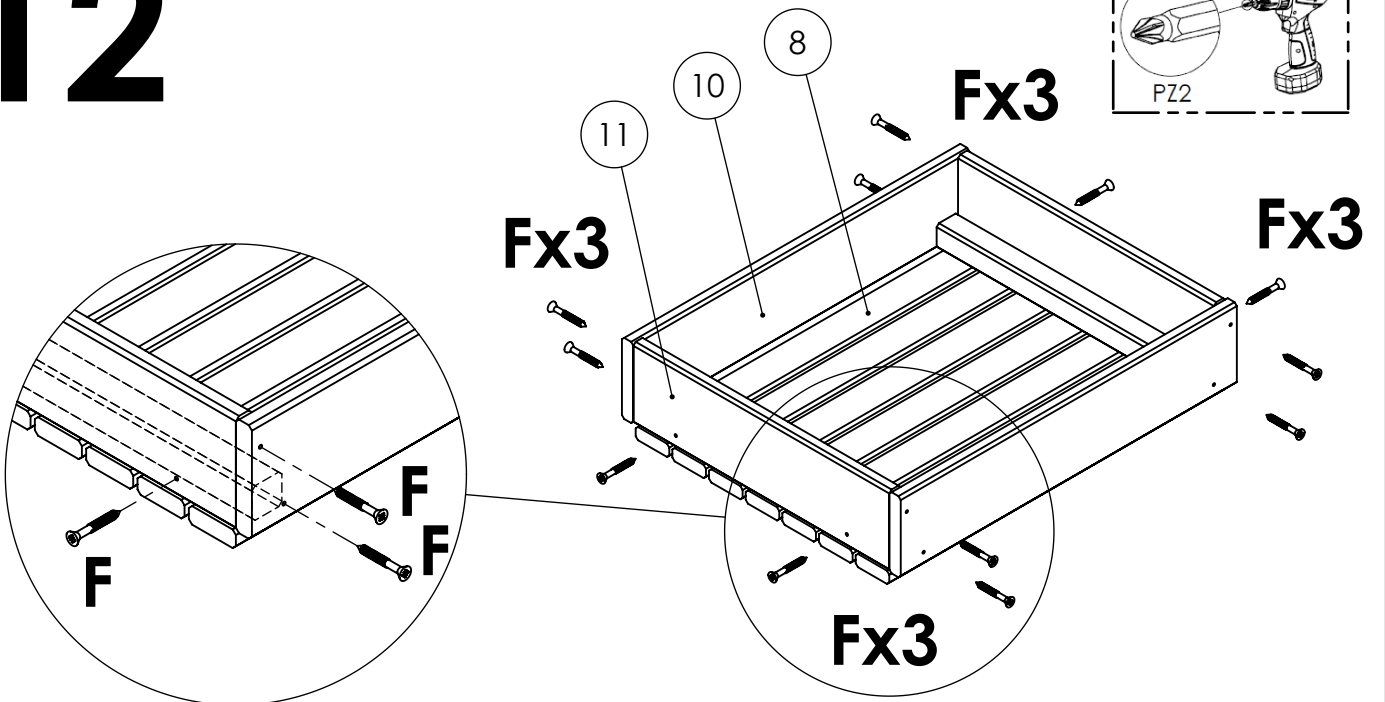
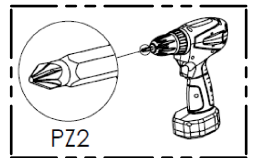
E		3.5x16	x12
---	---	--------	-----

# 11



E		3.5x16	x6
---	--	--------	----

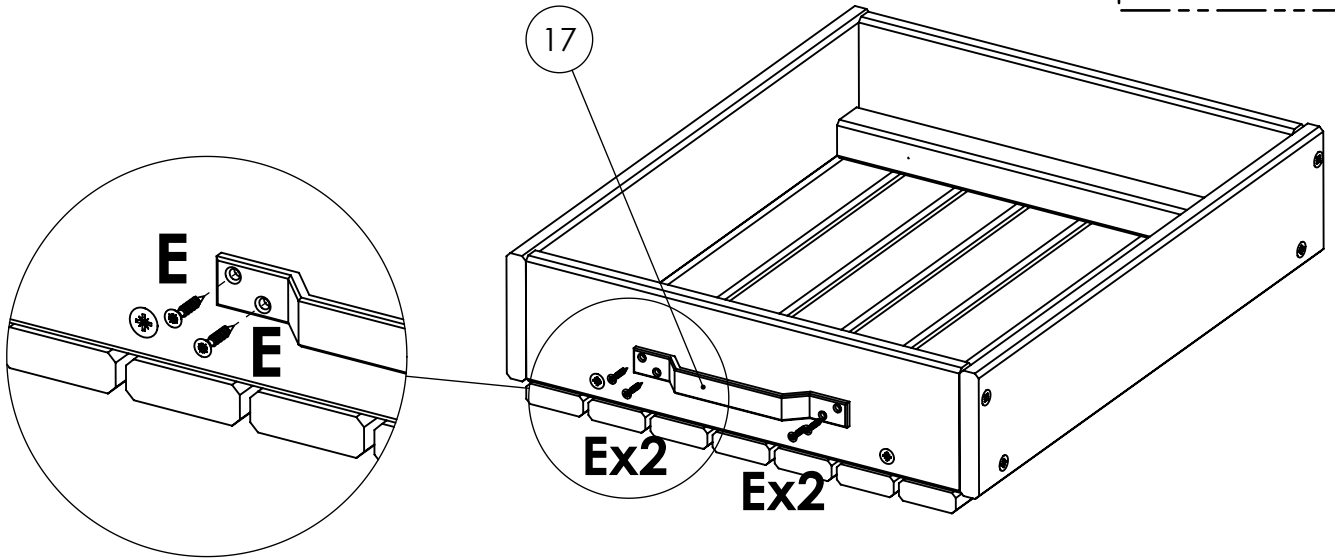
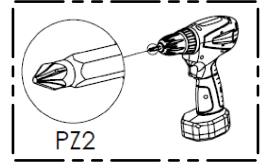
# 12



F		3.5x40	x12
---	--	--------	-----

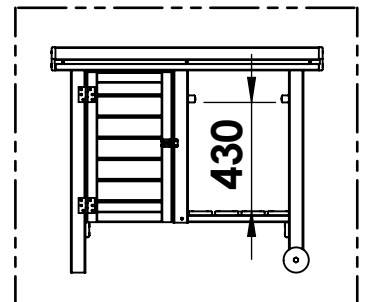
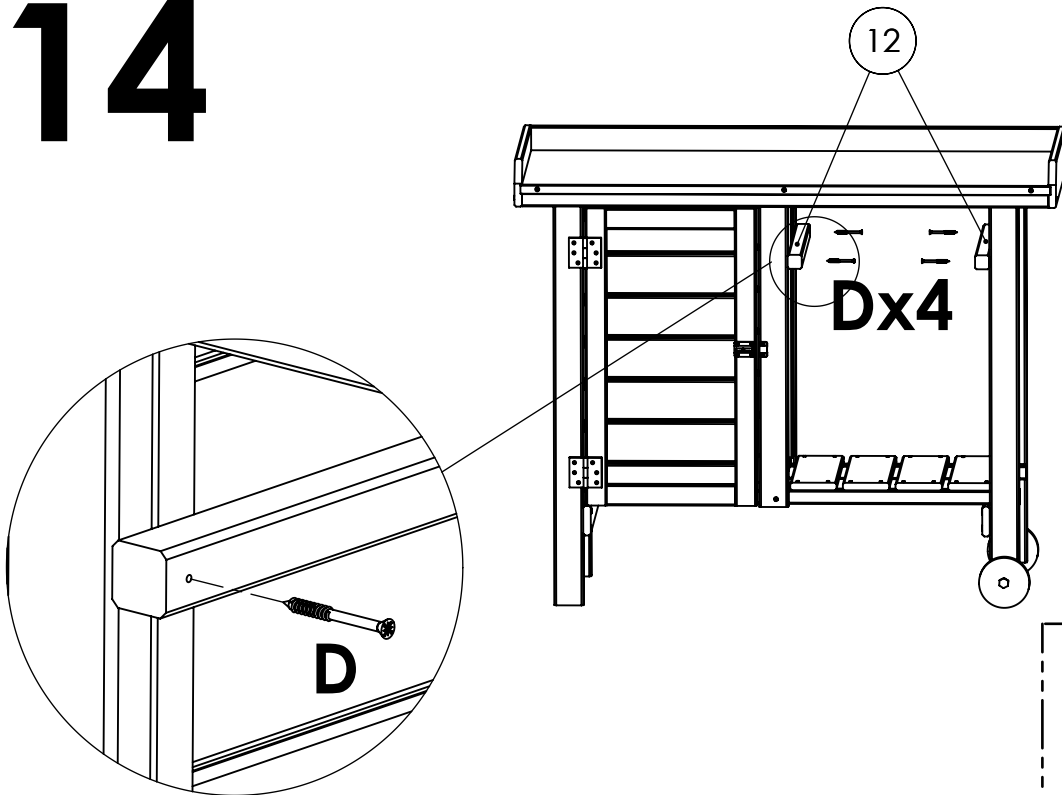
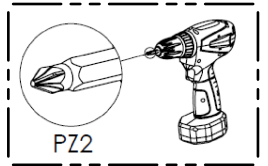



# 13



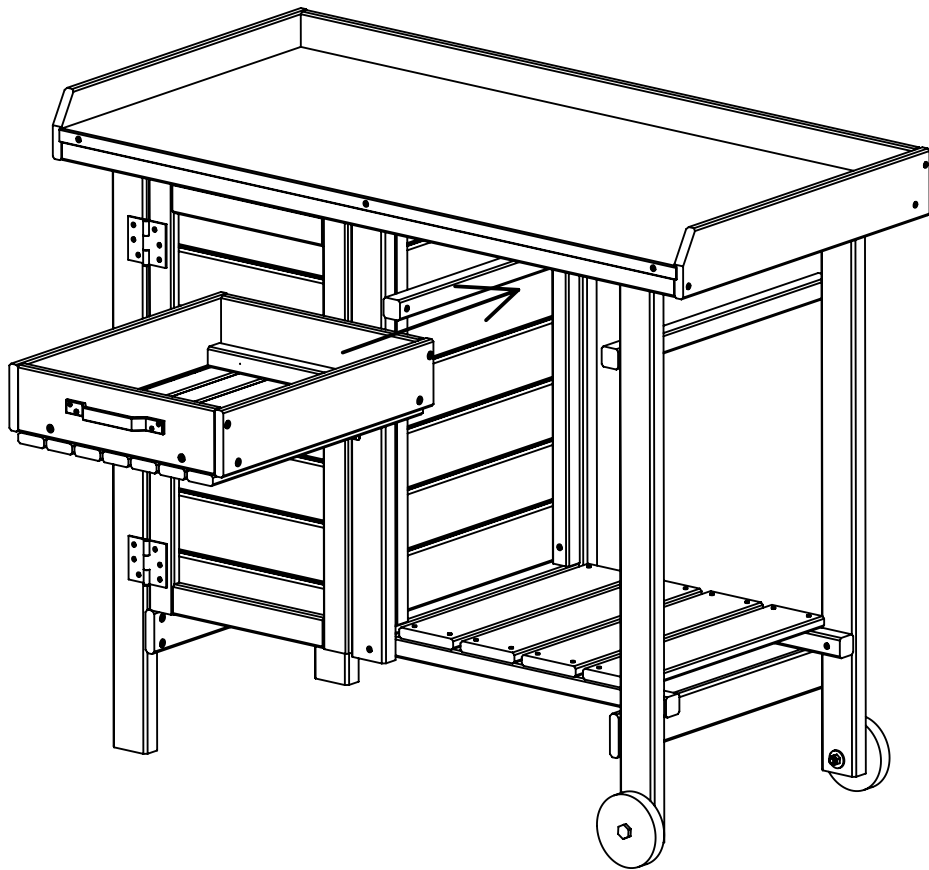
E		3.5x16	x4
---	---	--------	----

# 14

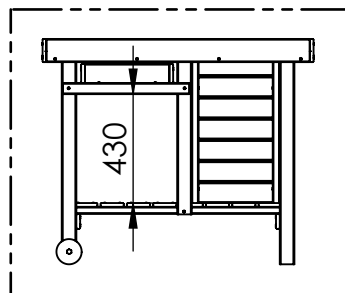
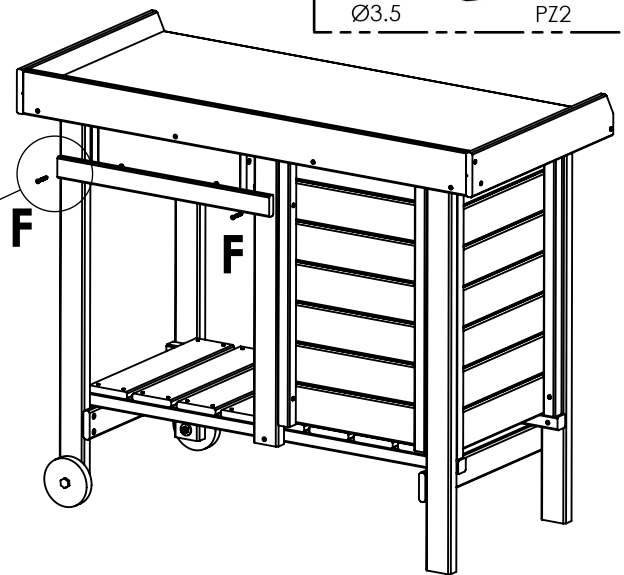
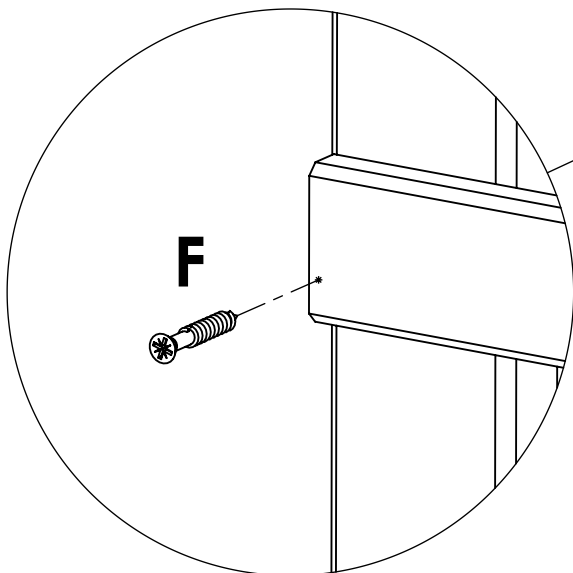
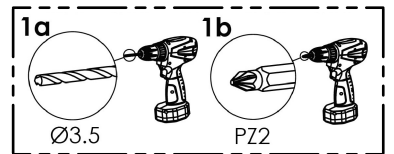


D		3.5x50	x4
---	---	--------	----

# 15



# 16



F		3.5x40	x2
---	---	--------	----