

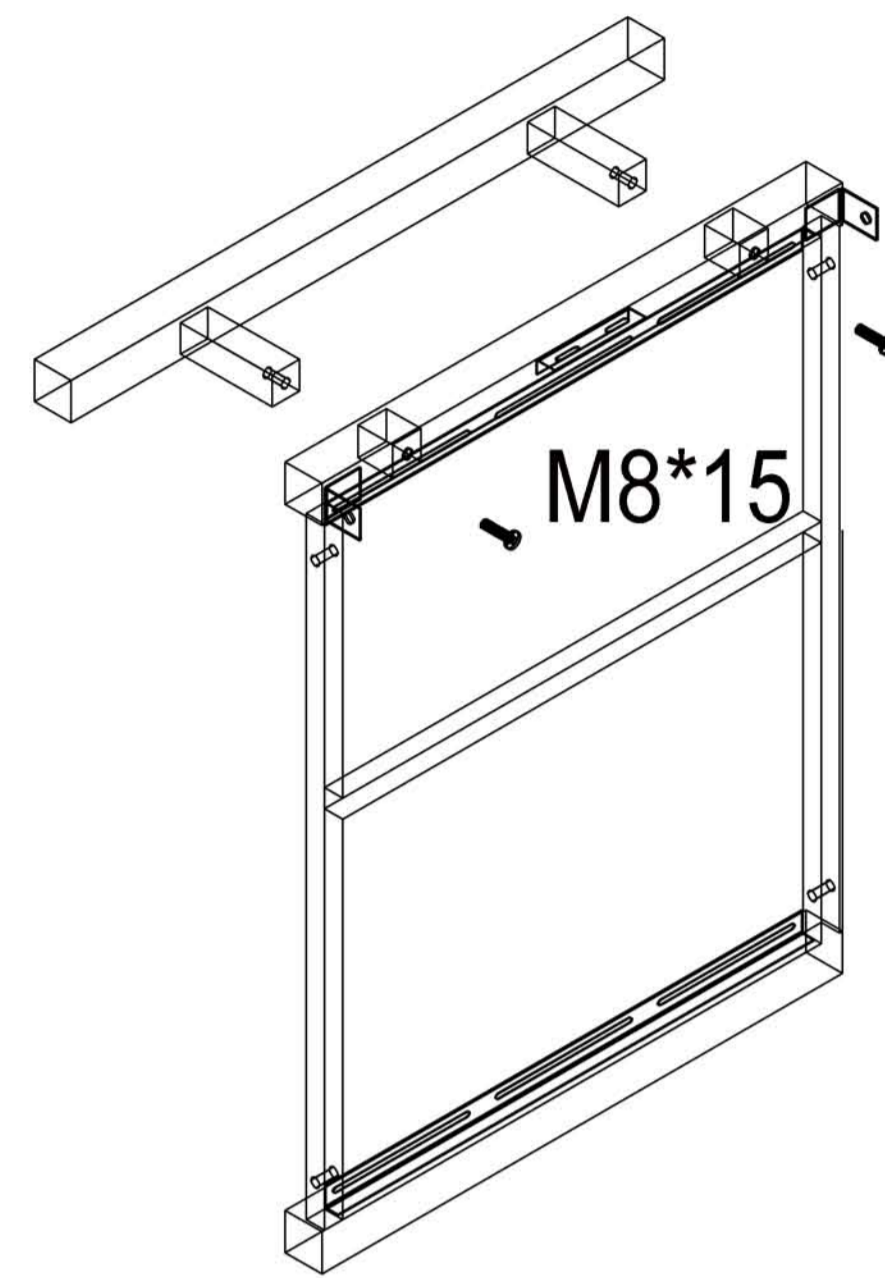
How to assemble the kitchen frame

Metal frame parts:

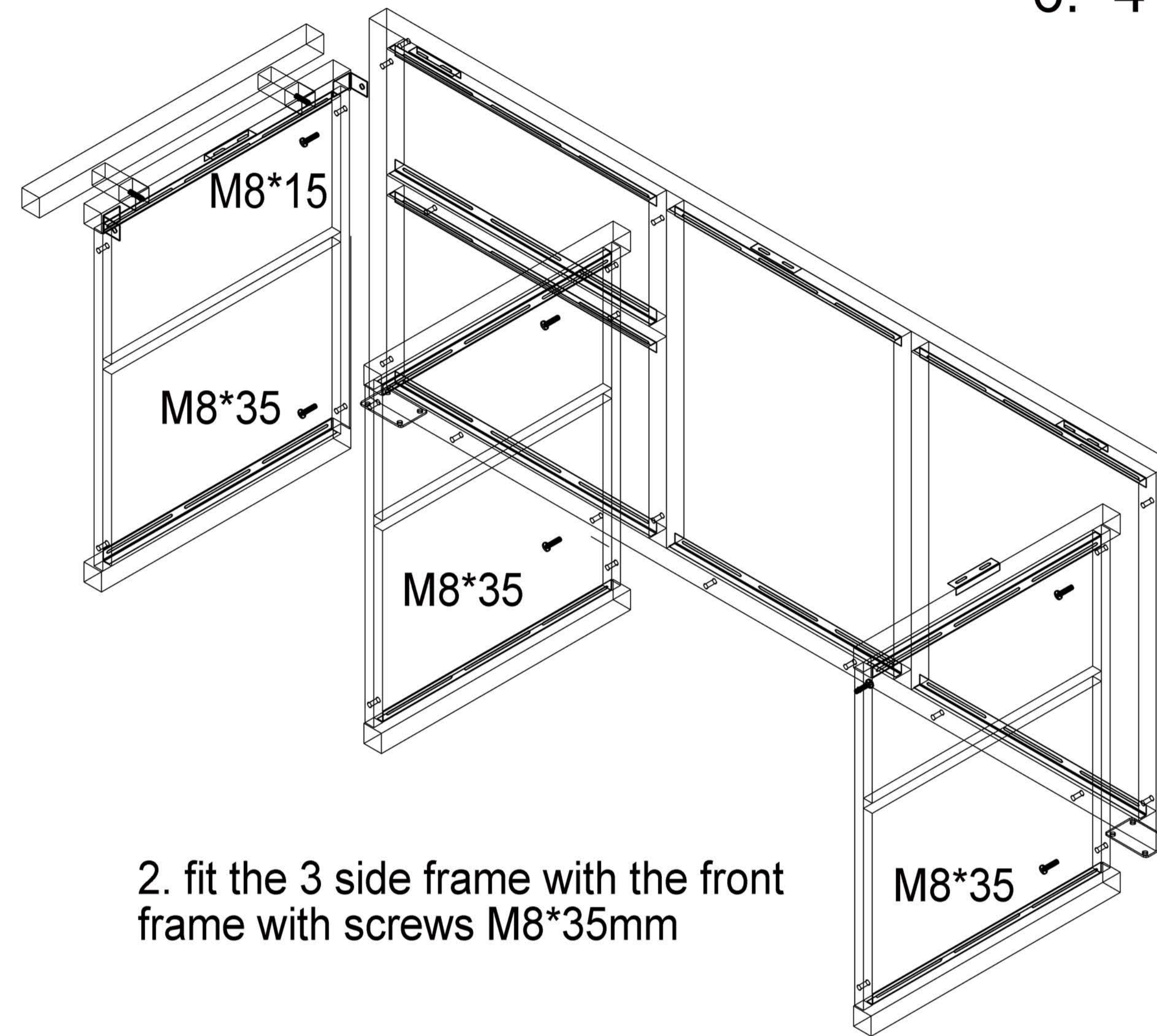
1. Handtrip tube *1 pcs
2. Front frame *1 pcs
3. Back frame *1 pcs(with two door frame)
3. side frame*3 pcs(one with holes for handtrip)
4. shelf tube frame * 1 pcs,(3 cross tube for BBQ)
5. bottom frame *4 pcs
6. 4 pcs wheels

Screws:

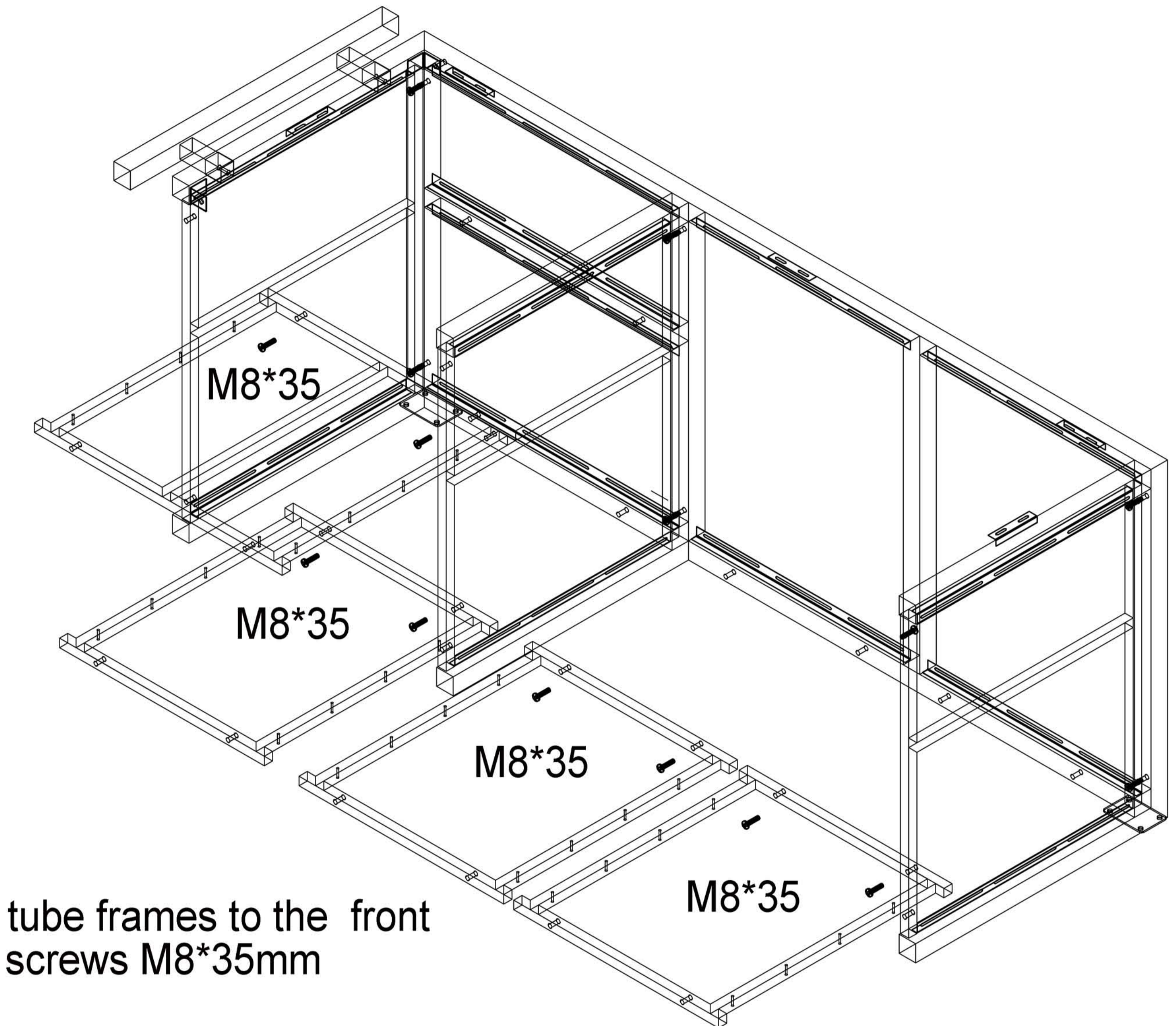
1. M8*35mm *28 pcs
2. M8*15mm * 4 pcs
3. M6*20mm* 16pcs



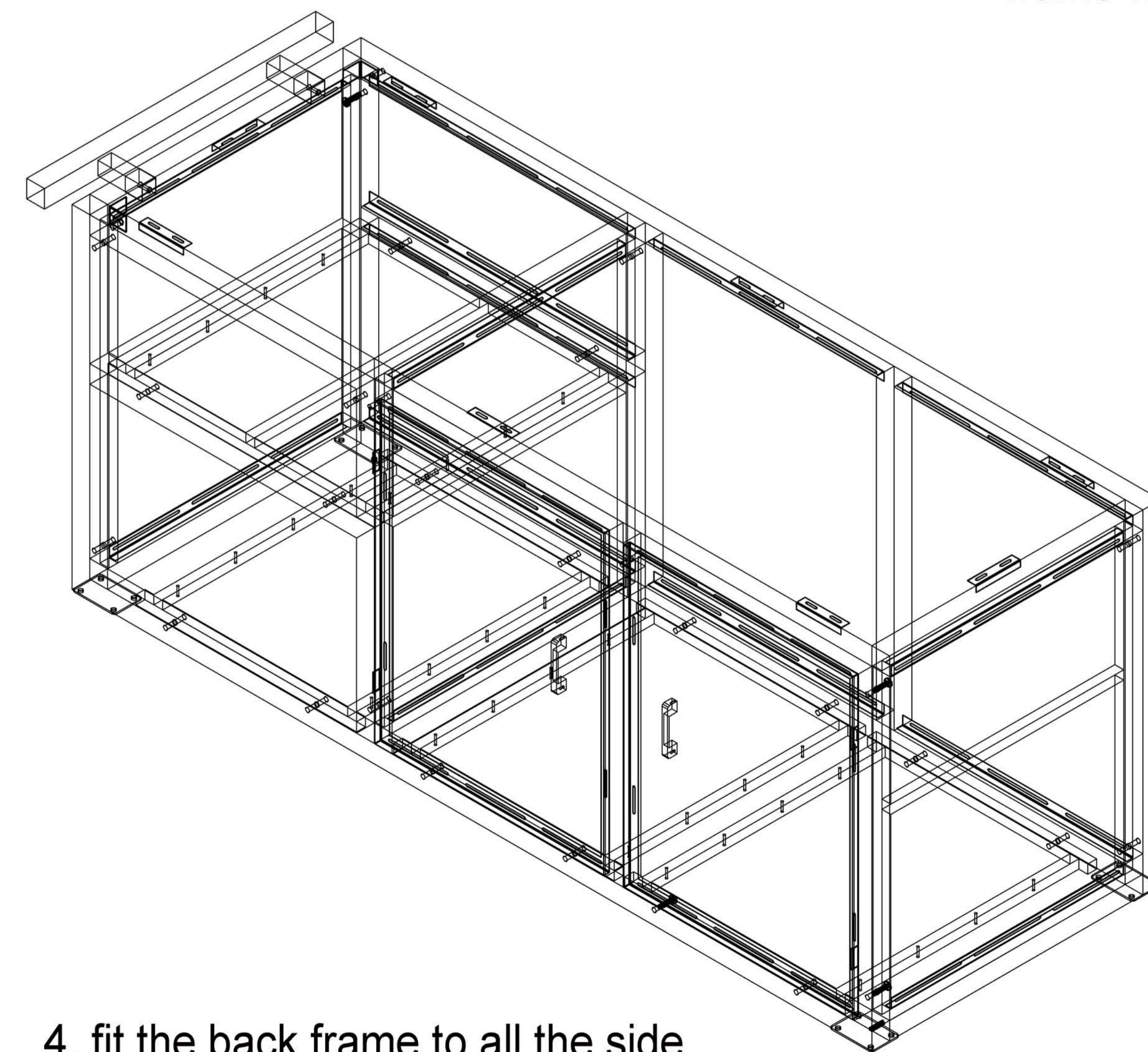
1. Add the handtrip to the side frame with screws M8*15mm



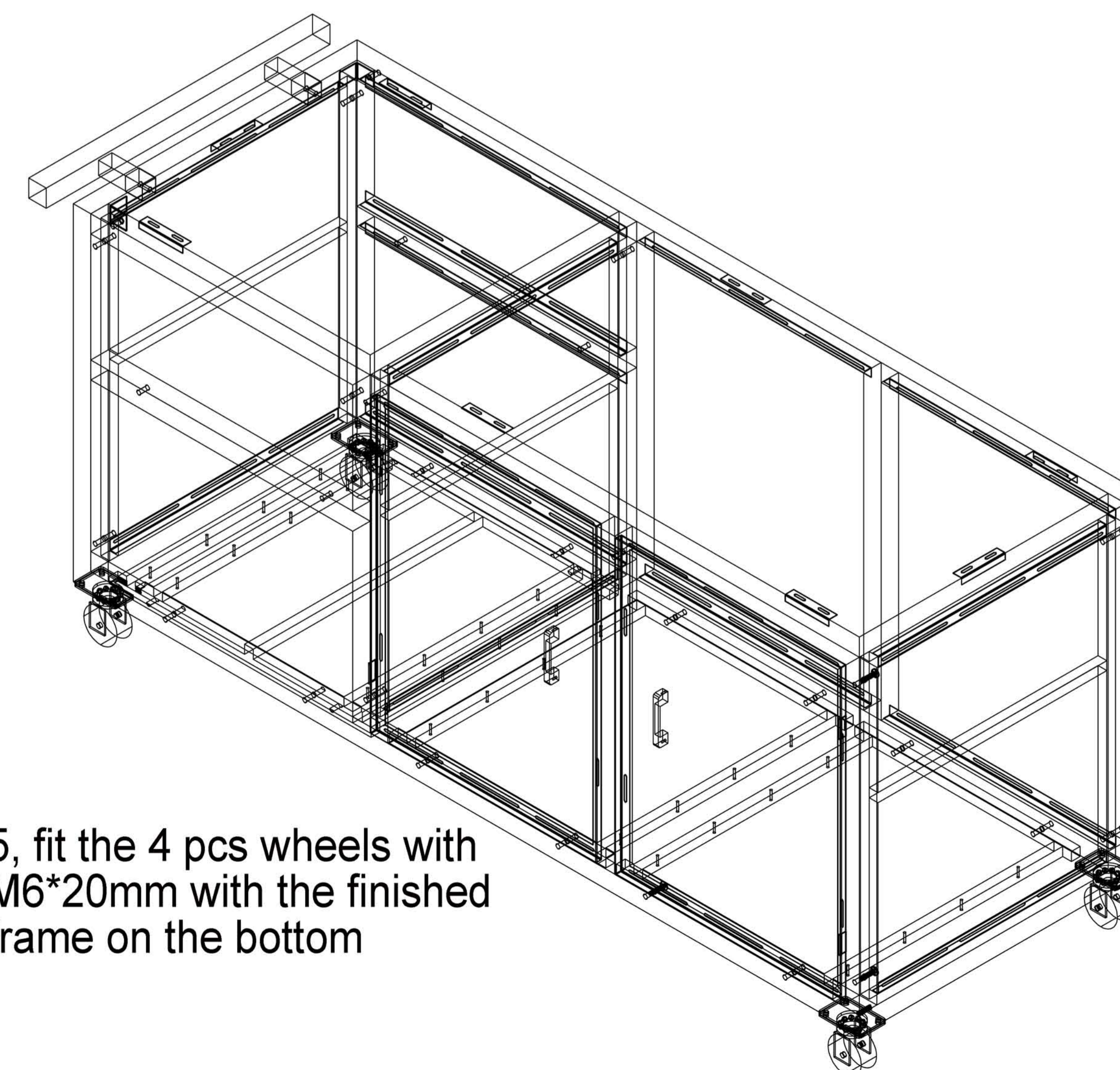
2. fit the 3 side frame with the front frame with screws M8*35mm



3. fit the 4 tube frames to the front frame with screws M8*35mm



4. fit the back frame to all the side frame and the other tube frame like 2 and 3.



5, fit the 4 pcs wheels with M6*20mm with the finished frame on the bottom